

CSE-M53N

(Embedded Serial to Ethernet Converter)



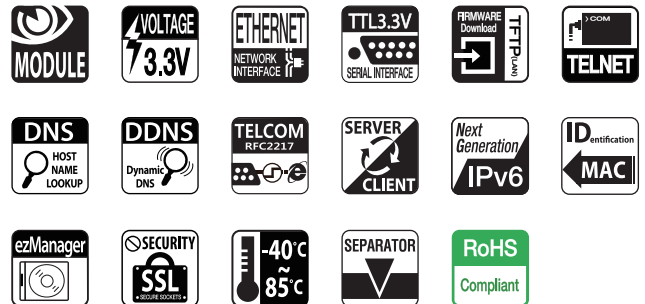
Overview

CSE-M53N is an embedded Serial to Ethernet converter module which is pin compatible with CSE-M53N. This compact module is perfect solution for low-cost projects and those who plan to move forward to next generation internet protocol, IPv6. For various industrial applications, CSE-M53N has been designed to keep high performance at industrial temperature range of $-40^{\circ}\text{C} \sim +85^{\circ}\text{C}$ and remarkable debugging function. Furthermore, CSE-M53N additionally provides Separator for packet fragmentation as well as basic functions such as DNS, DDNS and Telnet COM Port Control Option.

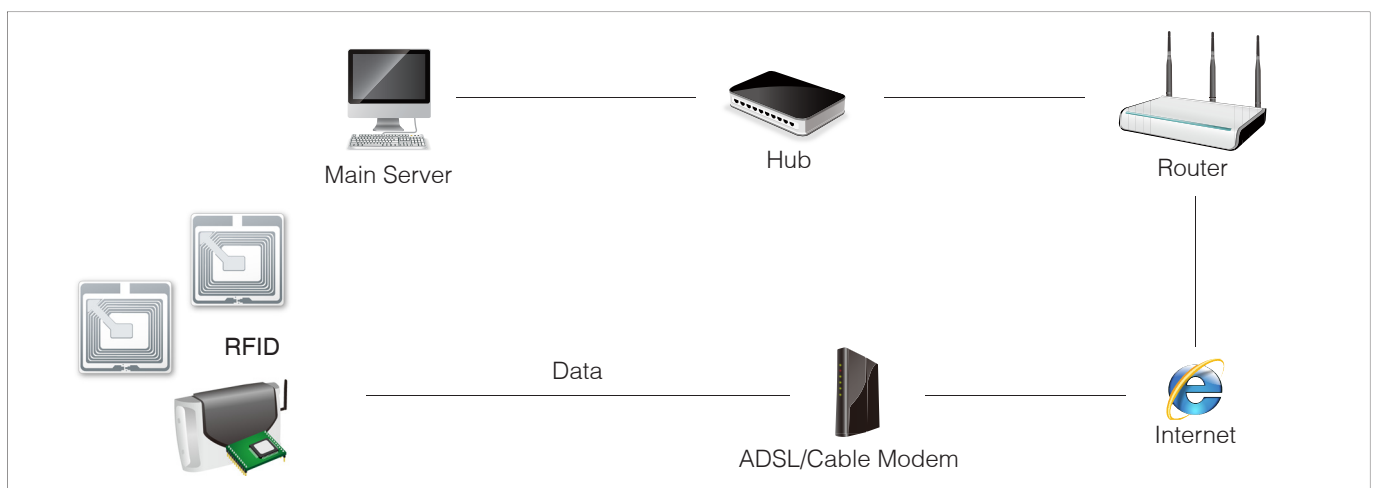
Highlights

- Very compact module type : 20mm x 24mm
- IPv4 / IPv6 dual stack
- Stateless / Stateful (DHCPv6) address autoconfiguration
- High speed UART x 1 (3.3V TTL, up to 921.6Kbps) available on RS232/RS422/RS485 extension
- Industrial temperature range ($-40^{\circ}\text{C} \sim +85^{\circ}\text{C}$)
- Security options (SSL3.0/TLS1.0, IP filtering, Password)
- Separator settings for packet fragmentation

Icons



Applications



Specifications

Serial Physical Interface	
Serial Interface	1 X UART (3.3V TTL)
	RXD, TXD, RTS(TXDE for RS485), CTS
Connector	1 X 10 2mm pitch pin header X 2
Serial Port Properties	
Baudrate	1,200bps ~ 921,600bps
Data Bits	8bits, 7bits with parity
Parity	None, Even, Odd, Mark, Space
Stop Bit	1 , 1.5, 2
Network Physical Interface	
Network Interface	10Base-T/100Base-TX Ethernet
	Ethernet Speed Auto Sense
	1:1 or Cross-over Cable Auto Sense
	Simple External Circuit Required
Software Functions	
Protocols	IPv4/IPv6 dual stack, ICMPv6/TCPv6/UDPv6
	TCP, UDP, IP, ICMP, ARP, TELNET
	DHCP, PPPoE, DNS, DDNS
Security	SSL (Secure Socket Layer)
	IP & MAC filtering - Restrict host or network
	Password for Configuring
Communication Mode	TCP Server (T2S)
	TCP Client (COD)
	TCP Server/Client with AT command (ATC) - Patent
	UDP Mode (U2S)
Additional Functions	Separator
	TCP Server/Client mode
	Sending MAC address Option
Indicators(LEDs)	
Status	The current status
DTR	TCP Connection Indicator
Management	
ezManager	Configuration and Monitoring Tool through Network and Serial
Telnet	Telnet Login
AT Command	Configuring in ATC mode - Patent

Supplementary Software

ezManager	Configuration Tool for Windows
ezVSP	Serial to Network Virtual Driver for Windows
ezTerm	Simple TCP/IP Communication Test Tool

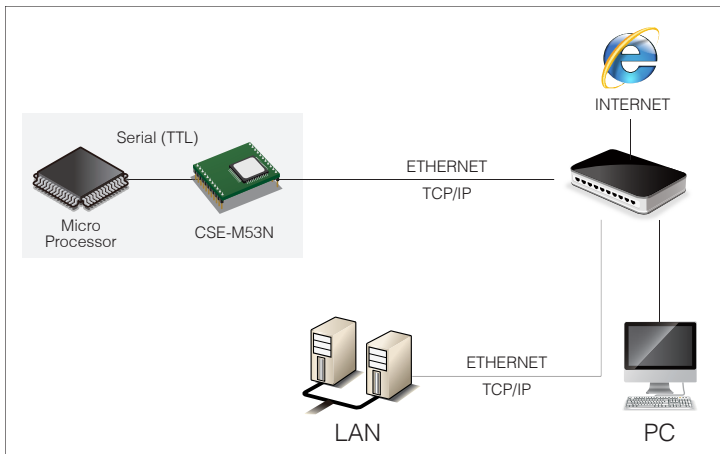
Dimension

Size	20mm x 24mm x 9.1mm
------	---------------------

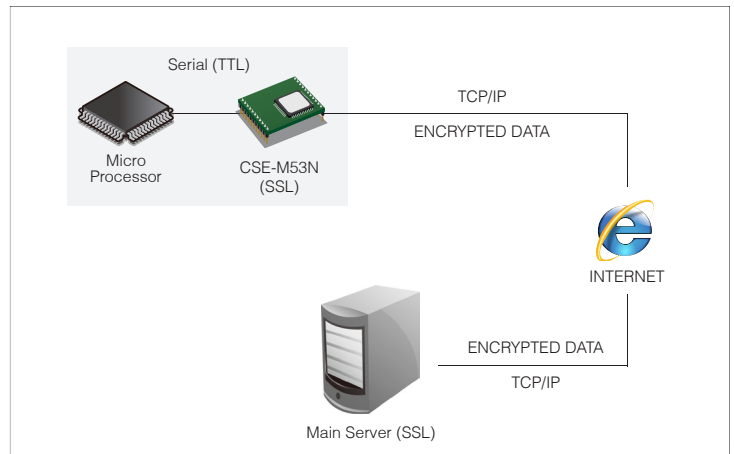
Operating Environment

Input Voltage	DC 3.3V
Power Consumption	150mA (100M Ethernet) , 200mA (10M Ethernet)
Operating Temperature	-40°C ~ +85°C
Storage Temperature	-40°C ~ +85°C

System Diagram



Serial Device Server



SSL