



100 MHz, 32-bit  
Microcontrollers with  
Cortex-M3™ core,  
LPC1700 series

## Cortex-M3 based microcontrollers with Ethernet, USB, CAN and 12-bit ADC

The LPC1700 series of low power cost-effective Cortex-M3 microcontrollers feature best-in-class peripheral support such as Ethernet, USB 2.0 Host/OTG/Device, and CAN 2.0B. Operating at speeds up to 100 MHz, they have up to 512 KB of FLASH, up to 64 KB of SRAM, 12-bit A/D and 10-bit D/A converters as well as an internal RC oscillator.

### Key Features

- ▶ ARM Cortex-M3 core
  - 100 MHz operation
  - Nested Vectored Interrupt Controller for fast deterministic interrupts
  - Wakeup Interrupt Controller allows automatic wake from any priority interrupt
  - Memory Protection Unit
  - Four reduced power modes: Sleep, Deep-sleep, Power-down and Deep power-down
- ▶ Memories
  - Up to 512 KB Flash memory
  - Up to 64 KB SRAM
- ▶ Serial Peripherals
  - 10/100 Ethernet MAC
  - USB 2.0 full-speed device/Host/ OTG controller with on-chip PHY
  - Four UARTs with fractional baud rate generation, RS-485. modem control I/O, and IrDA
  - Two CAN 2.0B controllers
  - Three SSP/SPI controllers
- Three I<sup>2</sup>C-bus interfaces with one supporting fast mode plus (1 Mbit/s data rates)
- I<sup>2</sup>S interface for digital audio
- ▶ Analog Peripherals
  - 12-bit Analog-to-Digital Converter with eight channels and conversion rates up to 1 MHz
  - 10-bit Digital-to-Analog Converter
- ▶ Other Peripherals
  - Real-Time Clock operating at < 1 uA
  - Eight channel General Purpose DMA controller
  - Up to 70 General Purpose I/O
  - Motor control PWM and Quadrature Encoder Interface to support three-phase motors
  - Four 32-bit general purpose timers/counters
  - 4 MHz internal RC oscillator trimmed to 1 % accuracy

The NXP LPC1700 series uses a low power, cost effective Cortex-M3 core that operates at up to 100 MHz. Each device has up to 512 KB of Flash and up to 64 KB of SRAM. The LPC1700 series features a multi-layer AHB bus that allows high-bandwidth peripherals such as Ethernet and USB to run simultaneously, without impacting performance.

The LPC176x devices are available in an LQFP100 package while the LPC175x MCUs are offered in an LQFP80 package. The LPC1700 series is pin compatible with the popular NXP LPC2300 series of ARM7 microcontrollers, allowing designers to compare the M3 and ARM7 cores in the same

socket and simply choose the microcontroller that is best for their application. With its wide array of peripherals and high performance, the LPC1700 is ideal for e-Metering, lighting, industrial networking, alarm systems, white goods and motor control applications.

### Selector Guide

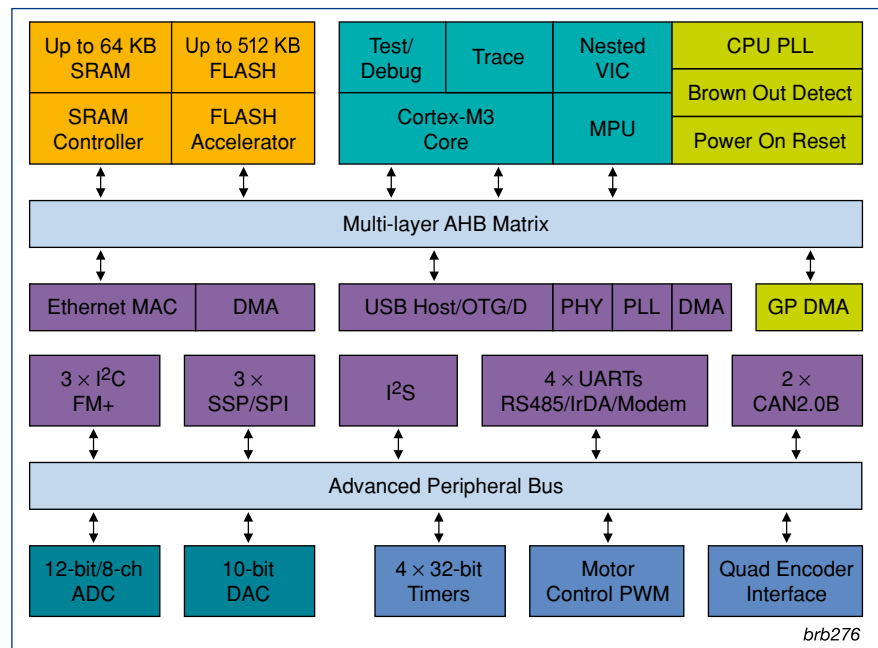
Part Number	Flash (KB)	SRAM (KB)	Ethernet	USB	CAN	I <sup>2</sup> S	DAC	Package
LPC1768	512	64	Y	Device/Host/OTG	2	Y	Y	LQFP100
LPC1766	256	64	Y	Device/Host/OTG	2	Y	Y	LQFP100
LPC1765	256	64	N	Device/Host/OTG	2	Y	Y	LQFP100
LPC1764	128	32	Y	Device	2	N	N	LQFP100
LPC1758	512	64	Y	Device/Host/OTG	2	Y	Y	LQFP80
LPC1756	256	32	N	Device/Host/OTG	2	Y	Y	LQFP80
LPC1754	128	32	N	Device/Host/OTG	1	N	Y	LQFP80
LPC1752	64	16	N	Device	1	N	N	LQFP80
LPC1751	32	8	N	Device	1	N	N	LQFP80

### Third-Party Development Tools

The following featured development tools will support the NXP LPC1700 series:

- ▶ Evaluation Boards
  - Embedded Artists
  - Hitex LPC17xx-Stick
  - IAR KSDK-LPC17xx
  - Keil MCB17xx
- ▶ IDEs
  - Hitex HiTOP IDE
  - IAR Embedded Workbench for ARM (EWARM)
  - Keil μVision3
  - CodeRed Eclipse-based Red Suite
- ▶ JTAG debuggers
  - All debuggers supporting Cortex-M3™

### LPC1700 Block Diagram



For more information on our development tools please visit [www.nxp.com/microcontrollers](http://www.nxp.com/microcontrollers)