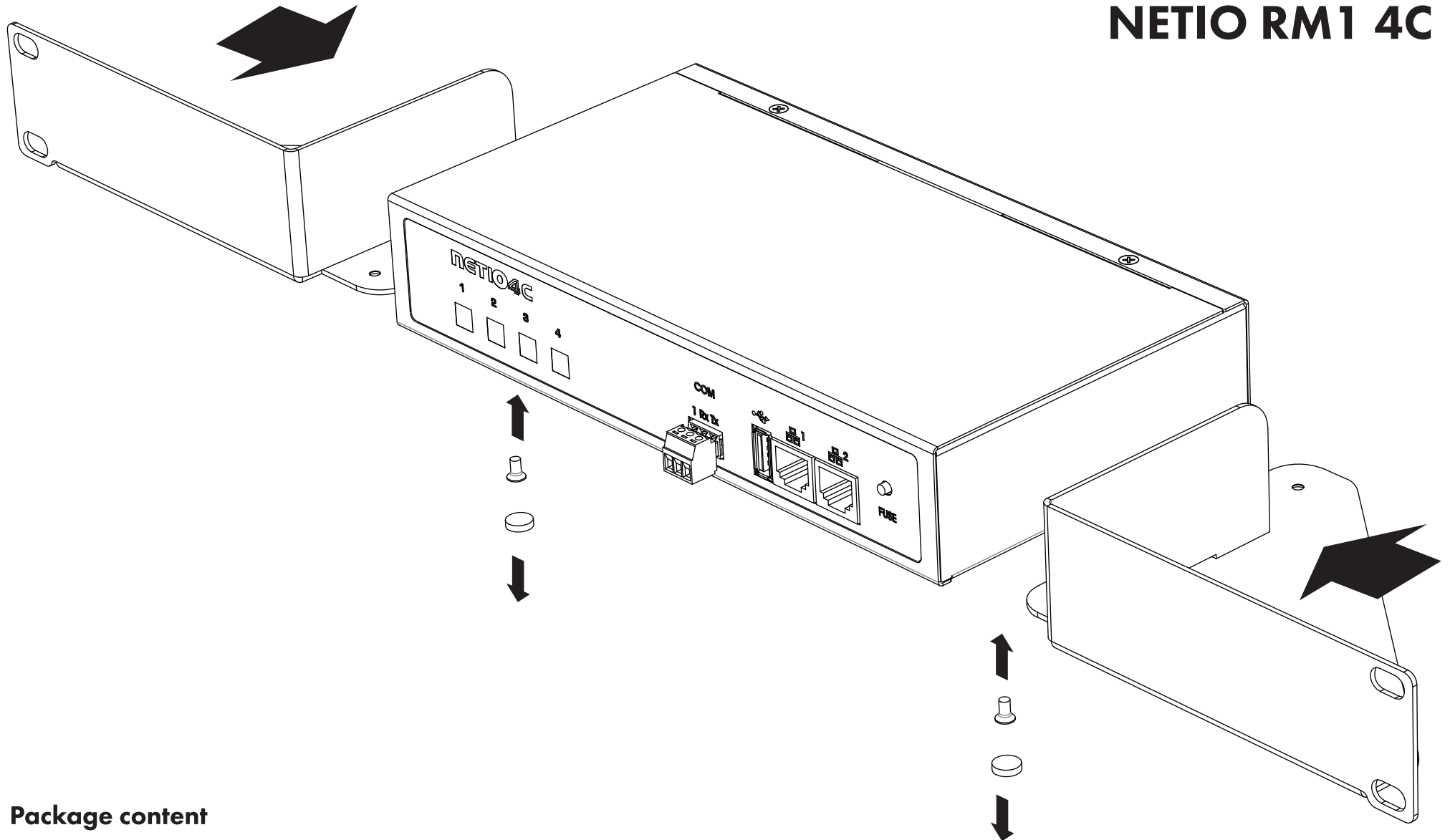


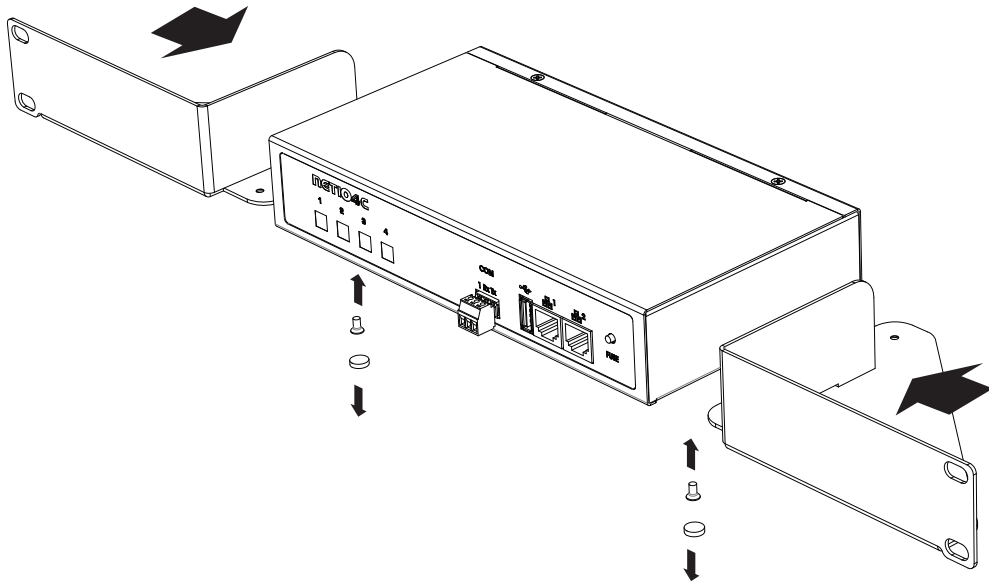
NETIO RM1 4C



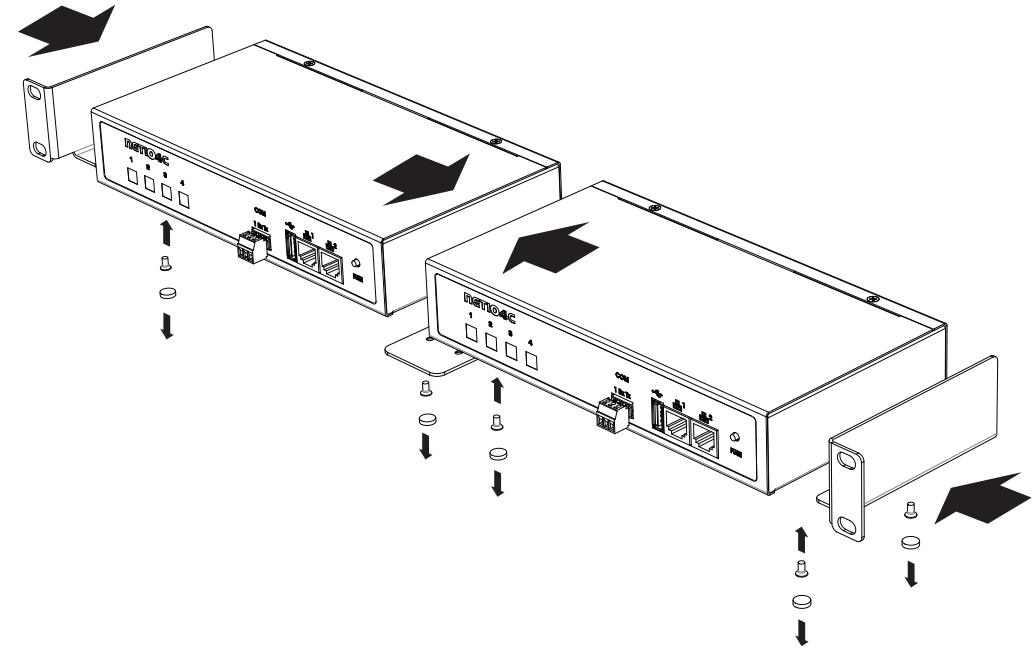
Package content

- 2x rack mount bracket (left and right part)
- 4x screw M3x6 (in a small Zip lock bag)
- 1x M6 rack mount set - bolt/washer/cage-nut (4)
- 1x Manual (A4 double side, two folds)

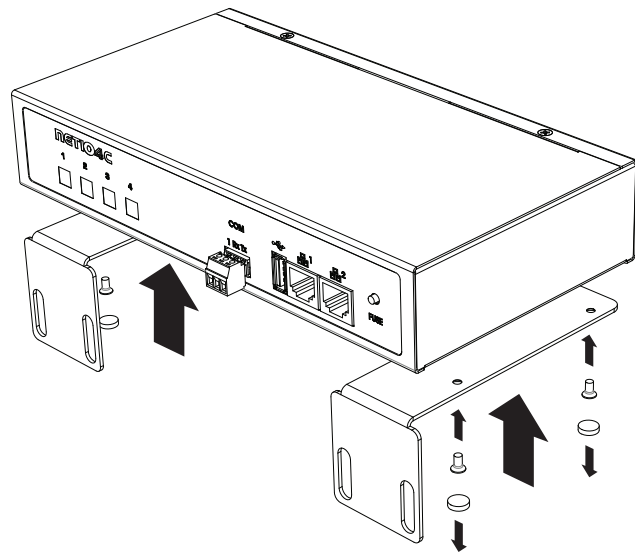
NETIO RM1 4C



NETIO RM2 2x4C



NETIO RM3 4C vertical



NETIO RM4 4C universal

