

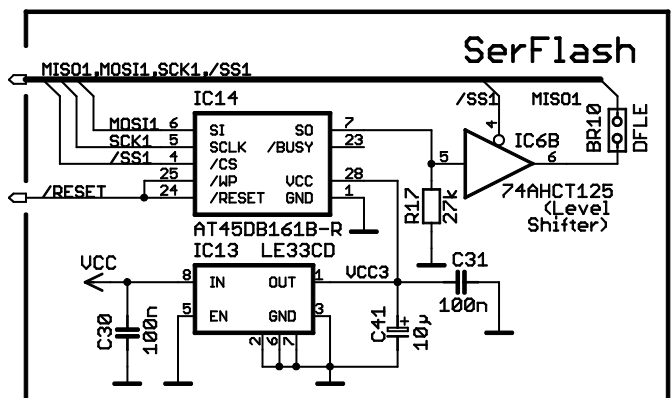
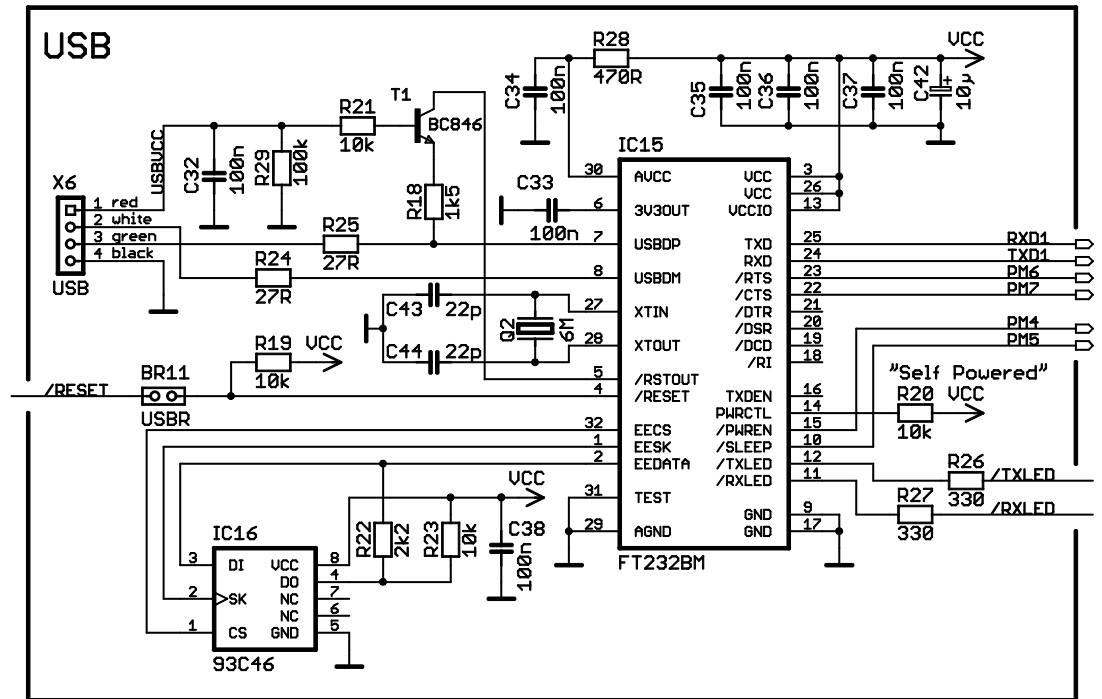
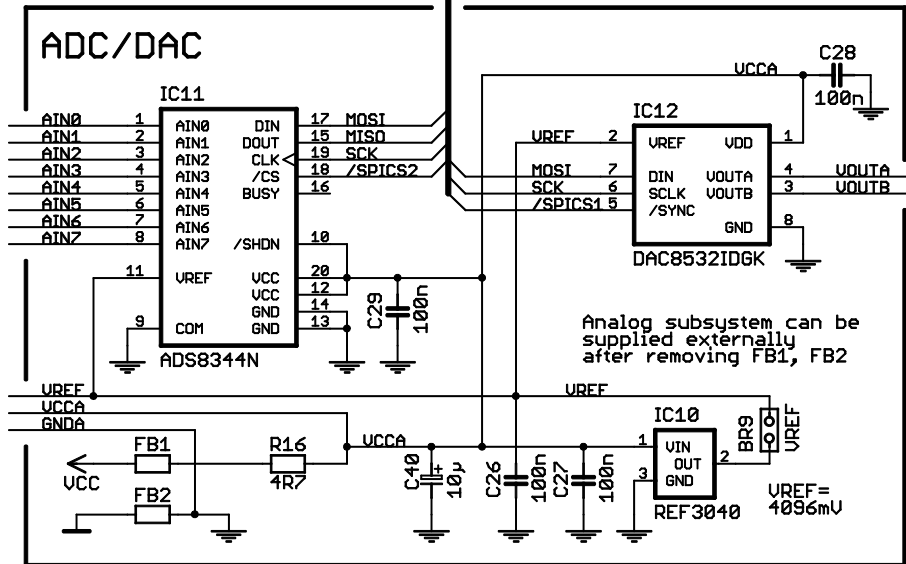
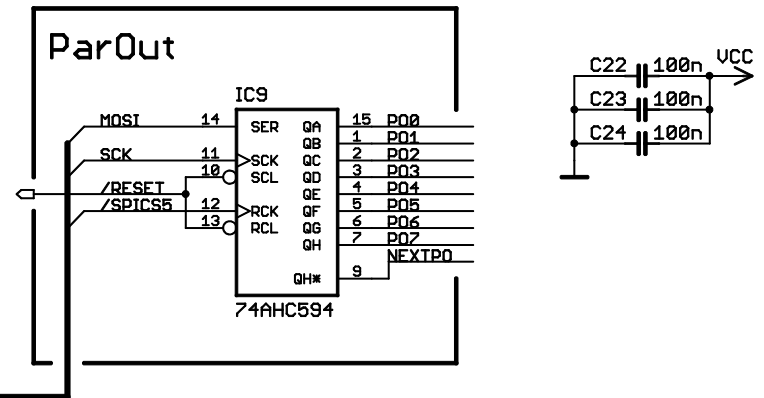
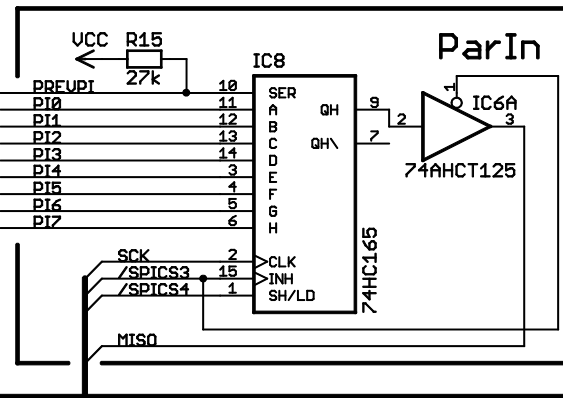
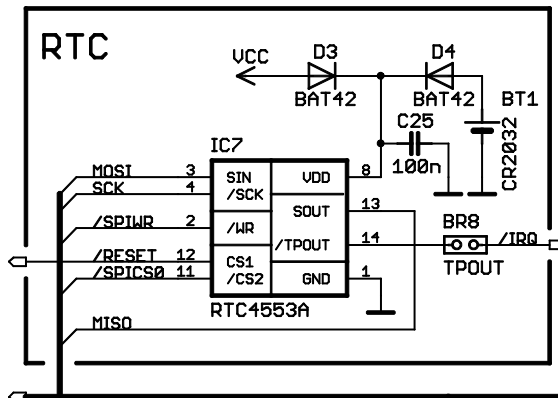
BR3: BUZZ
 Open: disable buzzer
 Close(*): enable buz

S12compact Microcontroller Module

<http://elmicro.com/en/s12compact.html>

(C)2005 by Elektronikladen | ELMICRO
 Design by Oliver Thamm, Thomas Wurlitzer

REV:
1.10



S12compact

Peripheral Components

<http://elmicro.com/en/s12compact.html>

(C)2005 by Elektronikladen | ELMICRO
Design by Oliver Thamm, Thomas Wurlitzer

REV: 1.10

Date: 04.07.2008 09:47:31 Sheet: 2/3

UCC	72	71	UCC
GND	70	69	GND
/TXLED	68	67	/RXLED
SCI	66	65	SDA
CANL	64	63	CANH
DM5	62	61	DM4
DM3	60	59	DM2
DM1	58	57	DM0
DP7	56	55	DP6
DP5	54	53	DP4
DP3	52	51	DP2
DP1	50	49	DP0
DK3	48	47	DK2
DK1	46	45	DK0
GND	44	43	GND
PT0	42	41	PT1
PT2	40	39	PT3
PT4	38	37	PT5
PT6	36	35	PT7
BLUZZ	34	33	DK5
DK4	32	31	/XCLKS
D10	30	29	D11
DB0	28	27	GND
DB2	26	25	DB1
DB4	24	23	DB3
DB6	22	21	DB5
/SDTCS6	20	19	DB7
P00	18	17	P01
P02	16	15	P03
P04	14	13	P05
P06	12	11	P07
NEXTP0	10	9	PT7
PT6	8	7	PT5
PT4	6	5	PT3
PT2	4	3	PT1
PT0	2	1	PREUPTI

X4

UCCA	72	71	URFF
GND	70	69	AIN2
AIN6	68	67	AIN5
AIN4	66	65	AIN3
AIN2	64	63	AIN1
AIN0	62	61	GND
UOLITR	60	59	UOLITA
GND	58	57	GND
SCK	56	55	M0ST
MISO	54	53	/SS
TXD1	52	51	RXD1
TXD0	50	49	RXD0
DM6	48	47	DM7
VRH	46	45	GND
PAD15	44	43	PAD07
PAD14	42	41	PAD06
PAD13	40	39	PAD05
PAD12	38	37	PAD04
PAD11	36	35	PAD03
PAD10	34	33	PAD02
PAD09	32	31	PAD01
PAD08	30	29	PAD00
PK7	28	27	PA7
PA6	26	25	PA5
PA4	24	23	PA3
PA2	22	21	PA1
PA0	20	19	/XTRQ
/TRQ	18	17	R/W
/LSTRB	16	15	MISO1
/RESET	14	13	/SS1
SCK1	12	11	MOSI1
/SPIWR	10	9	PH6
PH5	8	7	PH4
BKGD	6	5	M0DB
MODA	4	3	ECLK
GND	2	1	GND

X5

UCC	20	19	GND
DK5	18	17	DK4
D11	16	15	D10
BKGD	14	13	DB0
DB1	12	11	DB2
DB3	10	9	DB4
DB5	8	7	DB6
DB7	6	5	/XCLKS
M0DB	4	3	MODA
ECLK	2	1	/RESET

X7

GND	20	19	GND
/LSTRB	18	17	UCC
DK7	16	15	DK3
DK2	14	13	DK1
DK0	12	11	PA7
PA6	10	9	PA5
PA4	8	7	PA3
PA2	6	5	PA1
PA0	4	3	/XTRQ
/TRQ	2	1	R/W

X8

S12compact Header Connectors

<http://elmicro.com/en/s12compact.html>

(C)2005 by Elektronikladen | ELMICRO
Design by Oliver Thamm, Thomas Wurlitzer

REV:
1.10

Date: 04.07.2008 09:47:31

Sheet: 3/3