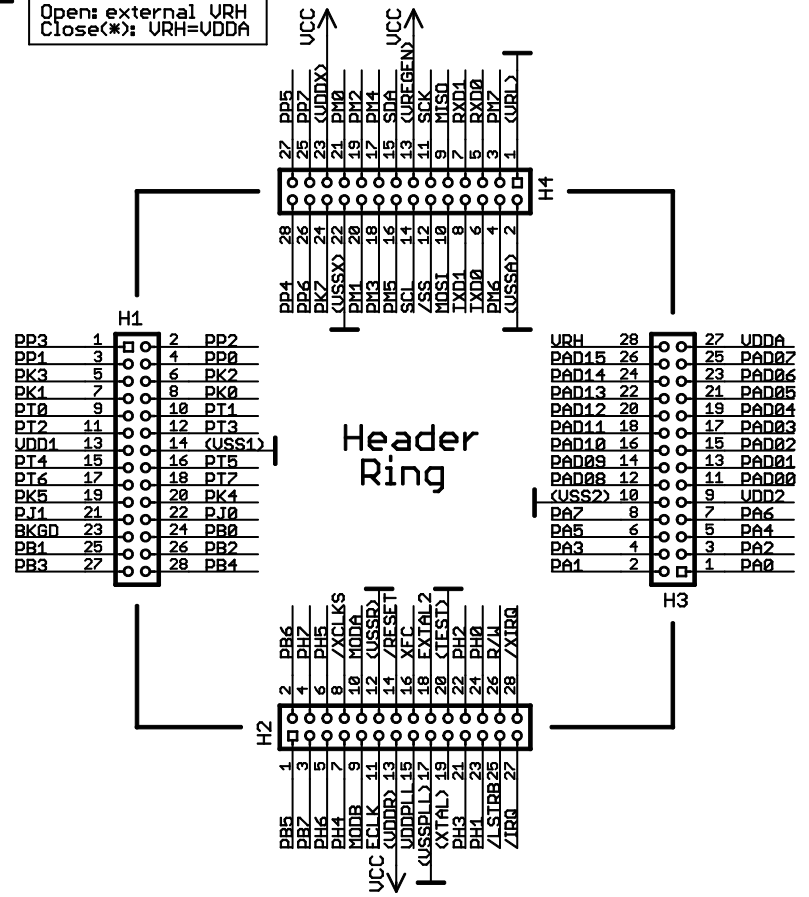
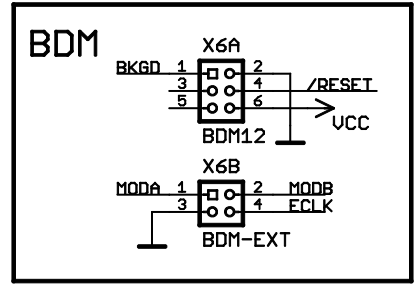
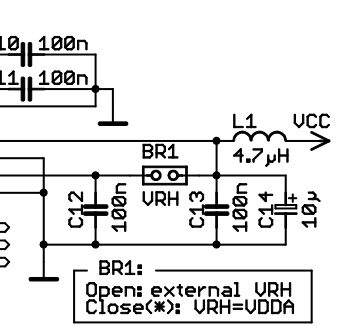


IC1		MC9S12DP512	
VREGEN	97	TEST	48
VDDR	41	VDD1	13
VSSR	49	VSS1	14
VDDX	107	VDD2	65
VSSX	106	VSS2	66
BKGD	23	UDDA	83
/RESET	42	USSA	86
EXTAL	46	URH	84
XTAL	47	URL	85
XFC	43	PAD00	67
UDDPLL	44	PAD01	69
UDDPLL	45	PAD02	71
/XIRQ	56	PAD03	73
/IRQ	55	PAD04	75
R/W	54	PAD05	77
/LSTRB	53	PAD06	79
ECLK	39	PAD07	81
MODA	38	PAD08	68
MODB	37	PAD09	70
/XCLKS36	36	PAD10	72
PJ0	22	PAD11	74
PJ1	21	PAD12	76
SA0	99	PAD13	78
SCI	98	PAD14	80
PH0	52	PAD15	82
PH1	51	PT0	9
PH2	50	PT1	10
PH3	49	PT2	11
PH4	35	PT3	12
PH5	34	PT4	15
PH6	33	PT5	16
PH7	32	PT6	17
PK0	8	PT7	18
PK1	7	RXD0	89
PK2	6	TXD0	90
PK3	5	RXD1	91
PK4	20	TXD1	92
PK5	19	MISO	93
PK6	18	MOSI	94
PK7	108	SCK	95
PB0	24	/SS	96
PB1	25	PP0	4
PB2	26	PP1	3
PB3	27	PP2	2
PB4	28	PP3	1
PB5	29	PP4	112
PB6	30	PP5	111
PB7	31	PP6	110
PA0	57	PP7	109
PA1	58	PM0	105
PA2	59	PM1	104
PA3	60	PM2	103
PA4	61	PM3	102
PA5	62	PM4	101
PA6	63	PM5	100
PA7	64	PM6	88
		PM7	87



HCS12 T-Board

<http://elmicro.com/en/hcs12tb.html>

©2002-2007 by Oliver Thamm
Elektronikladen | ELMICRO

REV:
1.00a

Date: 09.08.2007 13:35:32

Sheet: 1/2

