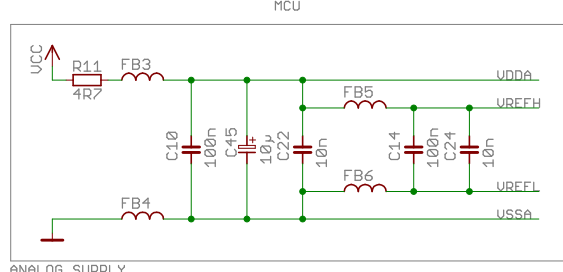
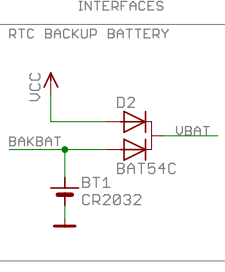
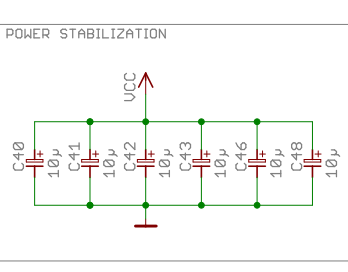
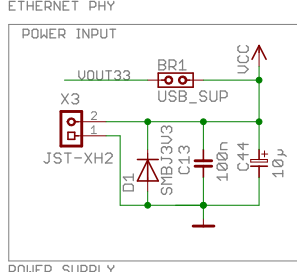
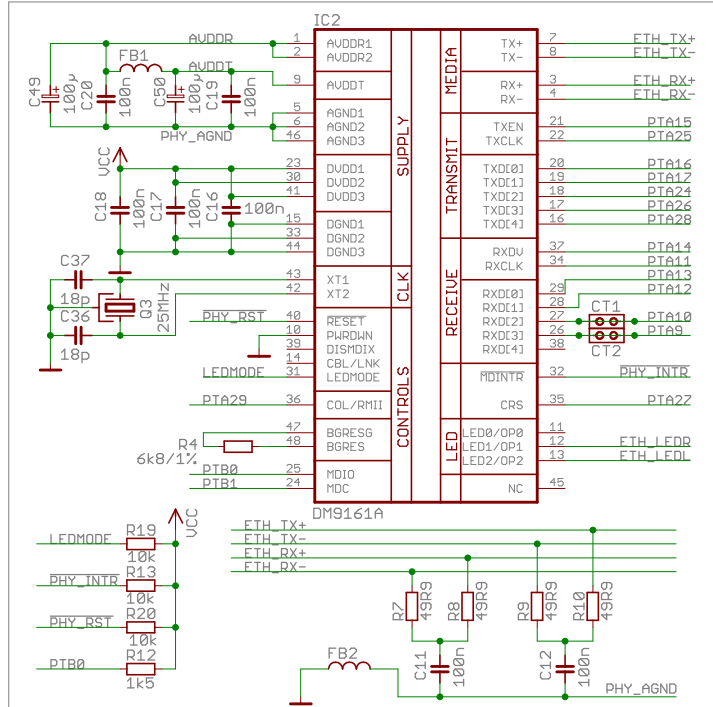


I/O CONNECTORS



# CardK60 Controller Module

<http://elmicro.com/en/cardk60.html>

(C)2011 by Elektronikladen | ELMICRO  
Design: Stefan Günther, Oliver Thamm

Date: 10.11.2011 12:24:02 Sheet: 1/1

REV: 1.10