

BS1APB

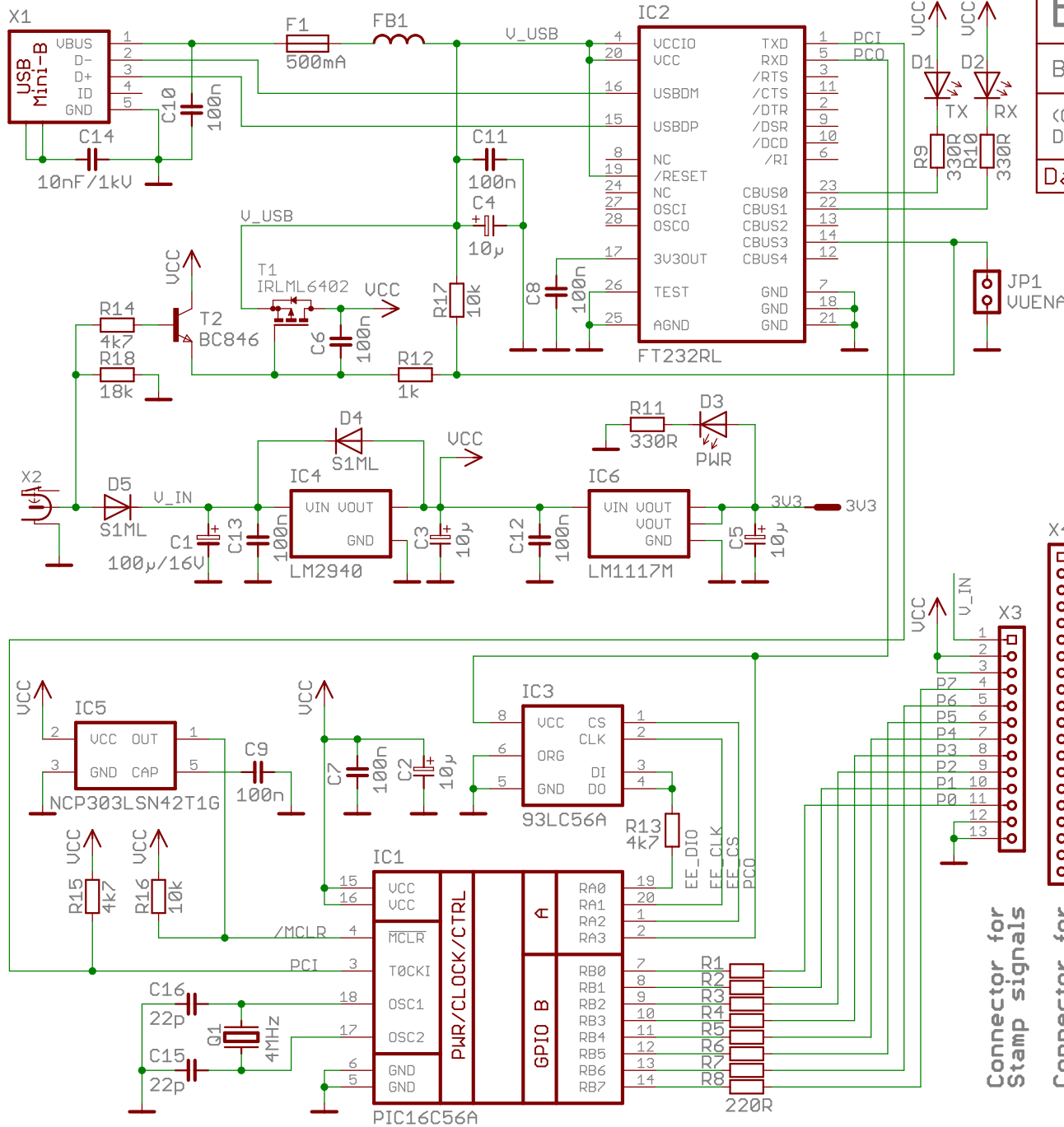
BS1 Advanced Project Board

(C)2013 by Elektronikladen | ELMICRO
Design: Stefan Guenther, Oliver Thamm

REV:
1.11

Date: 02.05.2013 10:32:33

Sheet: 1/1



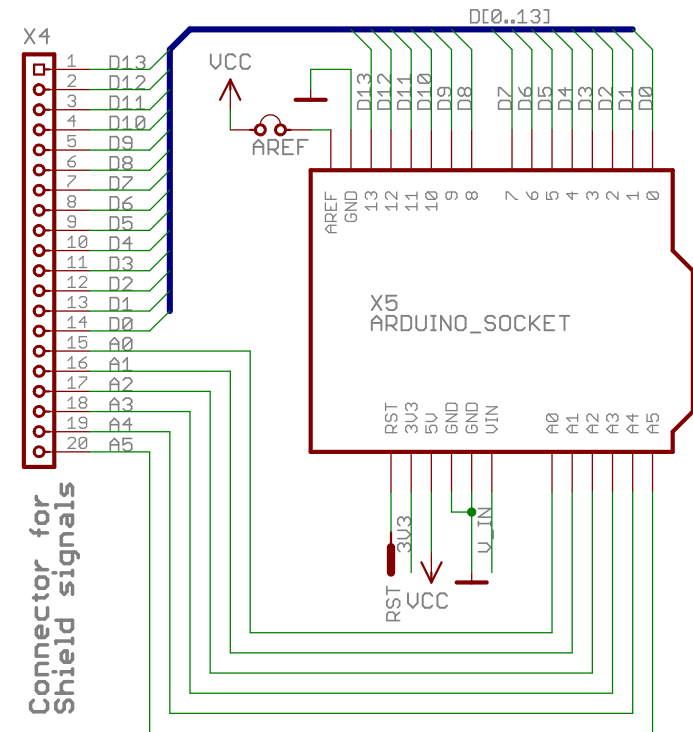
Usage hints:

Board can be powered by USB and/or external DC adapter. External DC takes precedence.

After USB enumeration, max. 500mA may be drawn from USB port. If USB is in suspend mode, VCC will be switched off.

Close JP1 if USB is used solely to power the board (no data connection).

Use jumper wires to route signals between BS1 (X3) and Arduino shield (X4).



Connector for Stamp signals

Connector for Shield signals