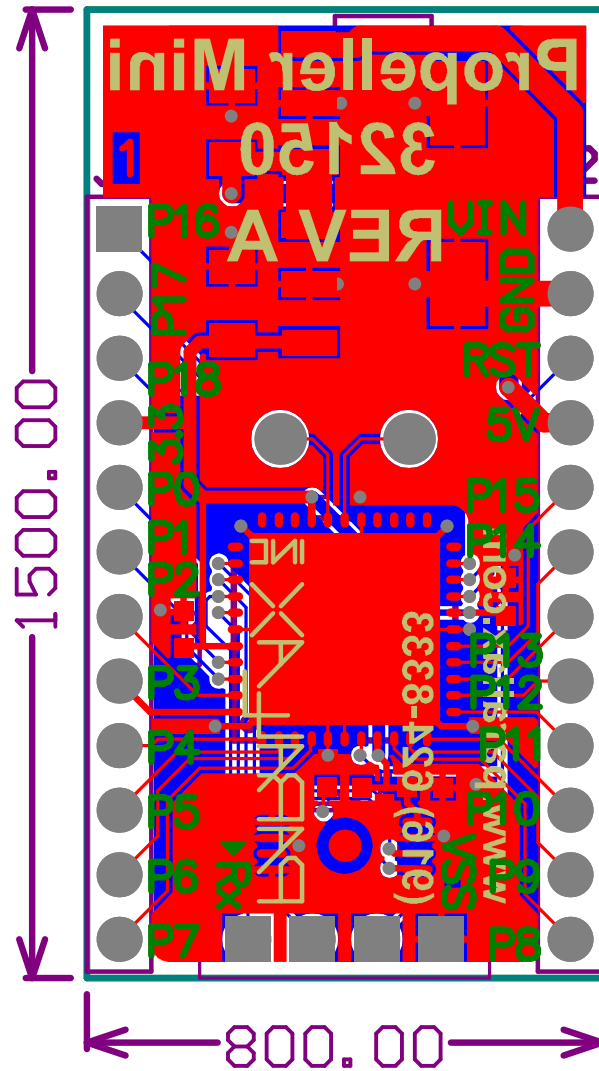


Title			Propeller Mini		
Size	Number	Revision			
Letter	32150	A			
Date:	9/16/2014	Sheet of			
File:	L:\Products\Propeller Mini	A.SchDoc		Drawn By:	

Propeller Mini_A



ASSEMBLY INSTRUCTIONS

- 1) Solder parts per IPC-A-610E.
- 2) Finished product to be clean of all flux and foreign material.

Bill of Materials: Propeller Mini

Part Number: 32150

Revision: A

Last Updated: 1/28/2014

#	Designator	Quantity	Parallax PN	Description	Manufacturer	Manufacturer PN
1	C1,C2	2	200-11529	CAP-CER,22uF,10V,X7R,1206		
2	C3-C5	3	200-11041	CAP-CER,0.1uF,10%,16V,X7R,0603		
3	J1,J2	1	451-04001	CON-HDR,1X40,TH (Uses (2) 1x12 Headers)		
4	J3	1	451-00406	CON-HDR,1X4,RA,TH		
5	R1	1	150-14720	RES,4.7K,5%,0603		
6	U1	1	P8X32A-M44	P8X32A-M44 (QFN)		
7	U2	1	602-10010	IC SRL EEPROM 512K 2.7V	STMicroelectronics	M24512-RDW6TP
8	VR1	1	601-10005	5V IC Regulator, 1A,SOT-223	Texas Instruments	LM2940IMP-5.0
9	VR2	1	601-00511	VREG SOT-223, 3.3V LF	Texas Instruments	LM2937IMP-3.3
10	Y1	1	251-05000	XTAL,HC-49US,5MHz,20pF,TH	ECS Inc.	ECS-50-20-4X
11	Sockets for Y1	2	452-10010	Conn Pin Socket, .015/.021"-LF	Mill-Max Manufacturing Corp.	0552-1-15-15-11-27-10-0