

AVR-PG2B (PARALLEL PORT) 10 PIN ICSP AVR MICROCONTROLLER PROGRAMMER

Features:

AVR-P2B is low cost parallel port programmer for AVR microcontrollers with the following features:

- Connects to LPT port
- Uses target board power supply so no need for external power supply

Programming:

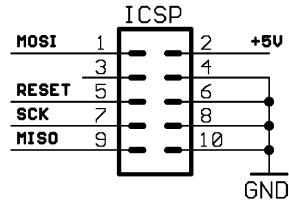
AVR-PG2B works with AVR ISP from Atmel and may be download for free from Atmel's web site.

ICSP interface:

The ICSP connector is 2x5 pin with 0,1" step and Atmel STKxxx compatible layout. The PIN.1 is marked with square pad on bottom and arrow on top. ICSP signals are: 1- MOSI, 2- VCC, 3- NC,

4- GND, 5- RST, 6- GND, 7- SCK, 8- GND, 9- MISO, 10- GND

ICSP TOP view PCB board layout:

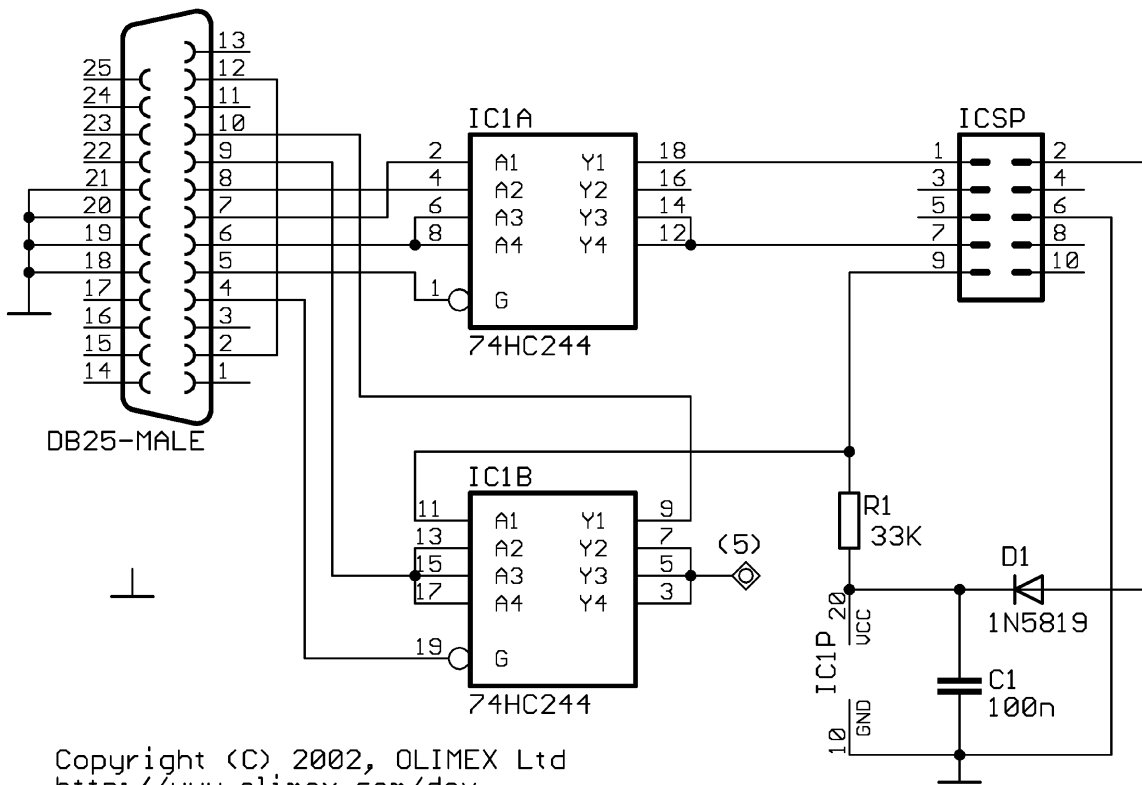


Supported devices:

All Atmel AVR microcontrollers

Ordering codes:

AVR-PG2B - assembled and tested



Copyright (C) 2002, OLIMEX Ltd
<http://www.olimex.com/dev>

Copyright(c) 2002, OLIMEX Ltd, All rights reserved.

Development boards for PIC, AVR and MSP430 microcontrollers <http://www.olimex.com/dev>