

A

B

C

D

E

F

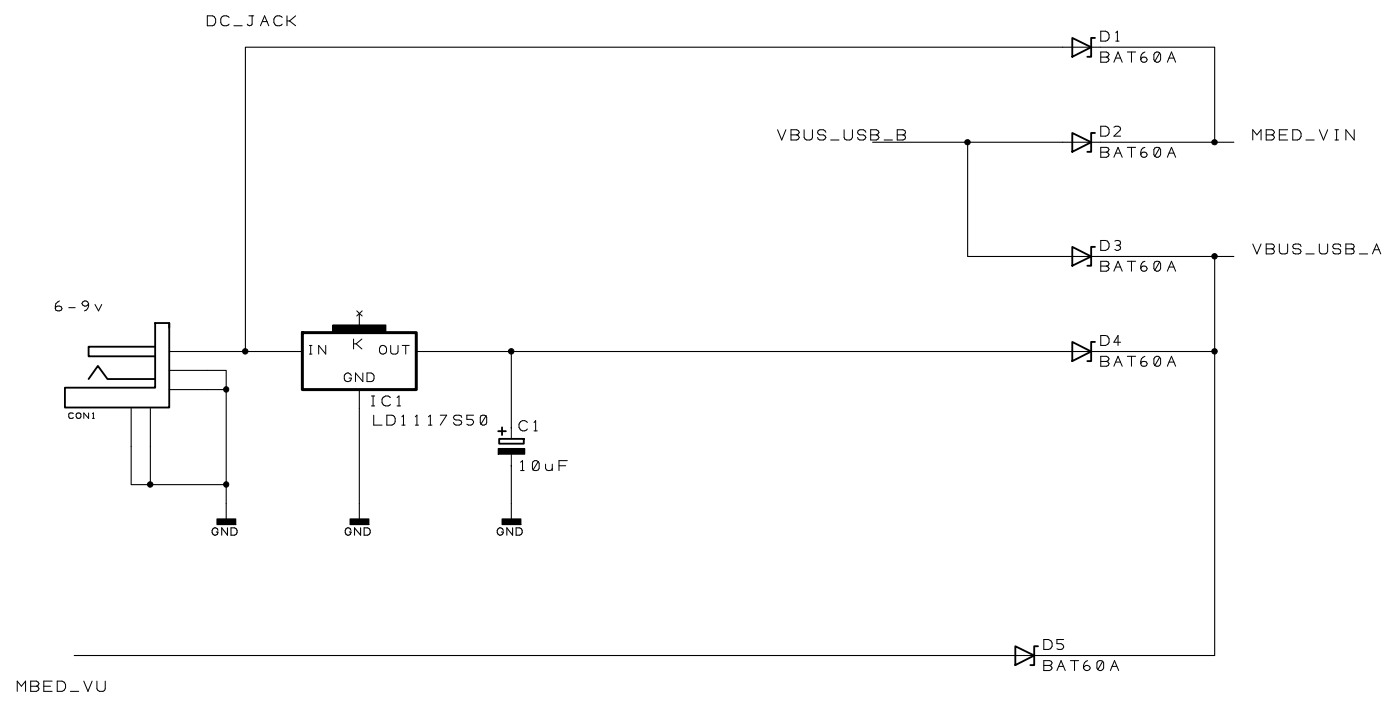
mbed can be powered from its USB, the LabBoard USB-B, or the DC Jack
Lab board USB-A socket powered from mbed VU pin, or USB-B socket

1

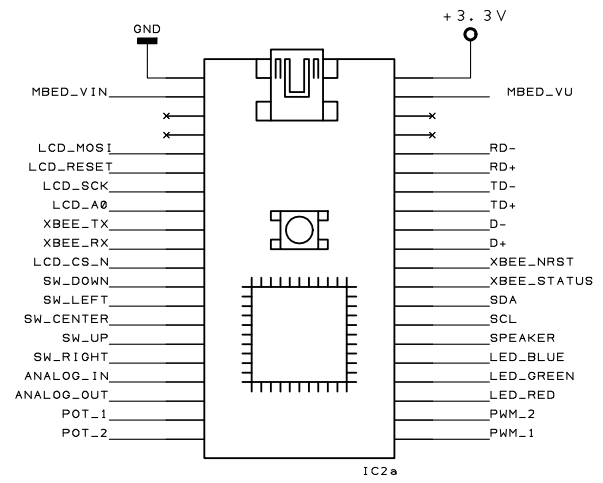
mbed

QR


2

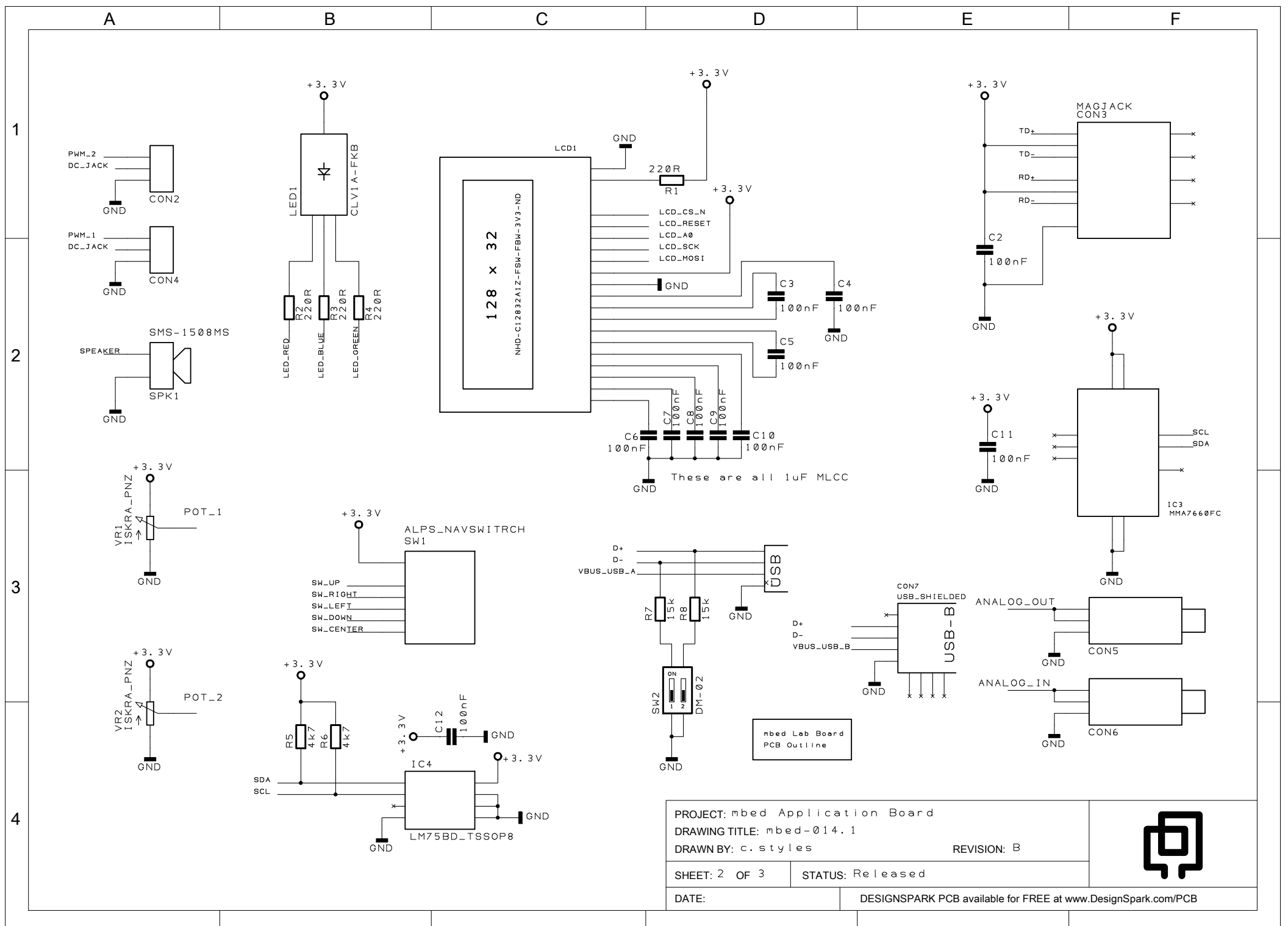


3



4

PROJECT: mbed Application Board		
DRAWING TITLE: mbed-014.1		
DRAWN BY: c.styles		
REVISION: B		
SHEET: 1 OF 3	STATUS: Released	
DATE:	DESIGNSPARK PCB available for FREE at www.DesignSpark.com/PCB	



PROJECT: mbed Application Board
DRAWING TITLE: mbed-014.1
DRAWN BY: c.styles
REVISION: B

SHEET: 2 OF 3
STATUS: Released

DATE:
DESIGNSPARK PCB available for FREE at www.DesignSpark.com/PCB



A

B

C

D

E

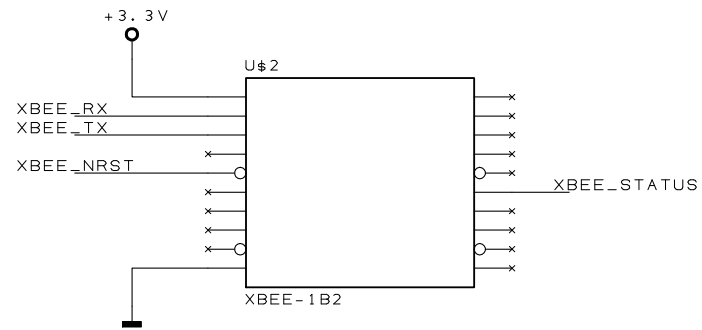
F


1

2

3

4



PROJECT: mbed Application Board		
DRAWING TITLE: mbed-014.1		
DRAWN BY: c.styles		REVISION: B
SHEET: 3 OF 3	STATUS: Released	
DATE:	DESIGNSPARK PCB available for FREE at www.DesignSpark.com/PCB	