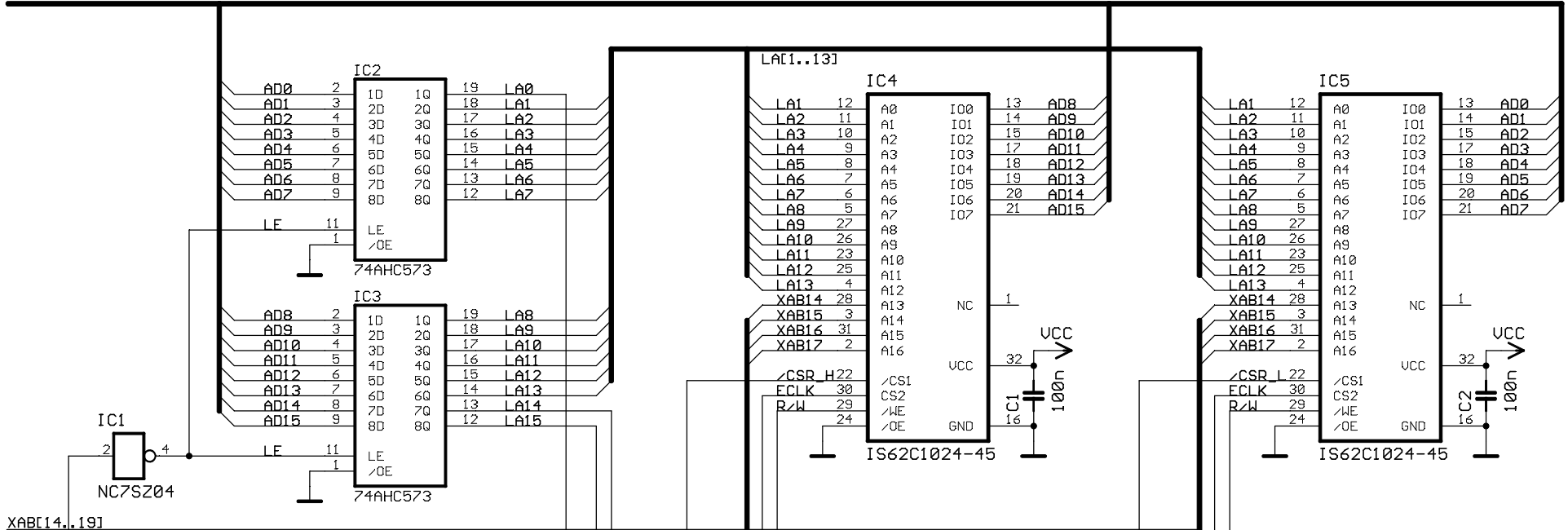


AD[0..15]

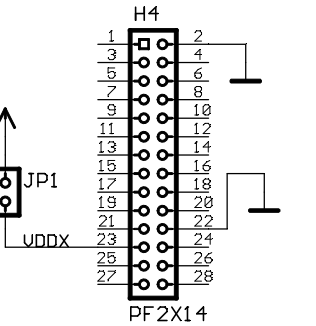
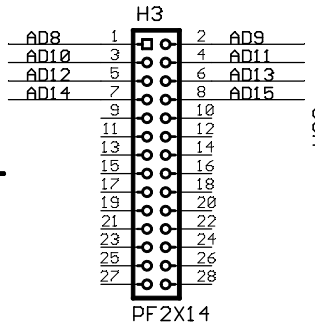
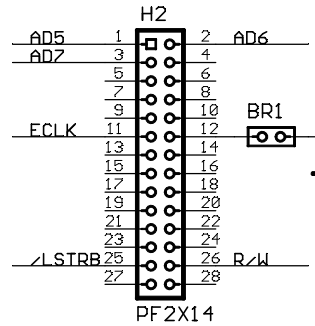
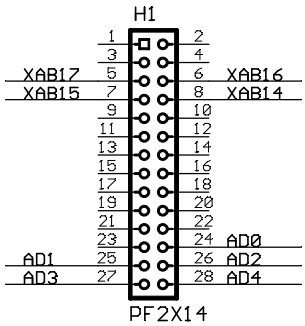
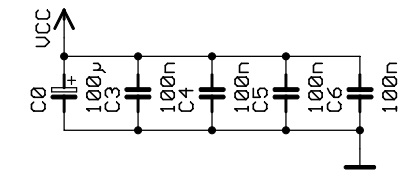
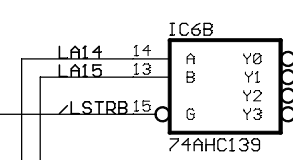
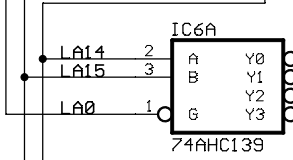


XAB[14..19]

ECLK

R/W

ΔLSTRB



Remarks:
 one stretch cycle for fBus=25MHz
 or no stretch for fBus=8MHz

RAM Board for DP256 16KB Low Power /Std Speed sRAM @ 0x4000	
http://hc12web.de/rambo256	
Copyright (C)2001 by Oliver Thamm c/o MCT Elektronikladen GbR Leipzig	REV: 1.10
Date: 04.11.2001 15:50:18	Sheet: 1/1