

## COBRA5329 Embedded Processor Module

Product Information 1.2: 2007/01/22

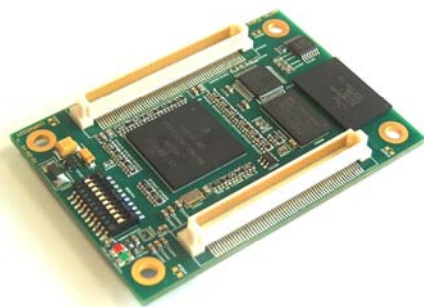
### COBRA5329 Features:

- ColdFire® MCF5329 Processor
- 240 MHz, up to 211 MIPS
- 16 MByte Flash (up to 64 MByte)
- 16 MByte SDRAM
- SVGA LCD controller (800 x 600)
- 10/100 Mbit/s Ethernet
- Encryption (AES, 3DES, RNG ...)
- USB OTG and Host Interfaces
- 2x SCI (UART), CAN Interface
- QSPI, I<sup>2</sup>C Interface
- Real Time Clock with Interrupt
- On-Board Temperature Sensor
- 32-Bit Processor Bus
- Selectable Boot Configuration
- dBUG and uClinux OS Support
- 2x 2 High Density Connectors
- Single 3.3 V Operating Voltage

The COBRA5329 module is a versatile single board computer based on the MCF5329 ColdFire® microprocessor. It has been developed as a joint project together with EBV Elektronik, National Semiconductor, Freescale and emlix.



Original Size 48 mm x 68 mm



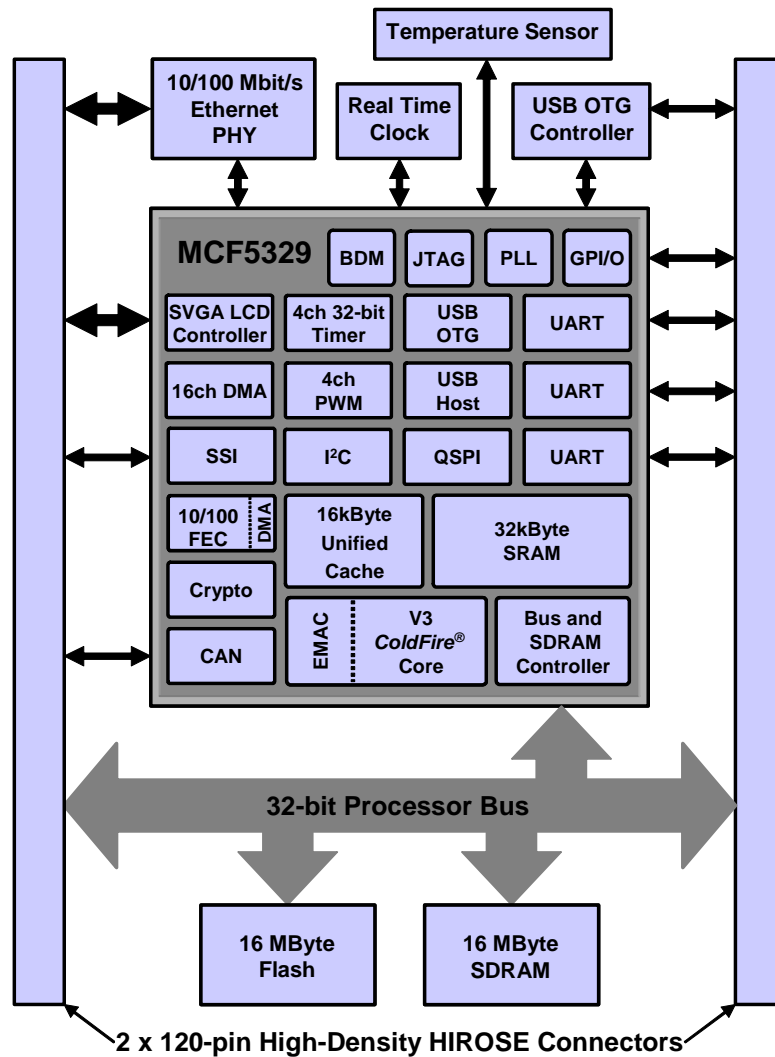
### COBRA5485 Interfaces:

2x 2 High Density Connectors:  
 two on the Top, two on the Bottom  
 (HIROSE 120 Pins)

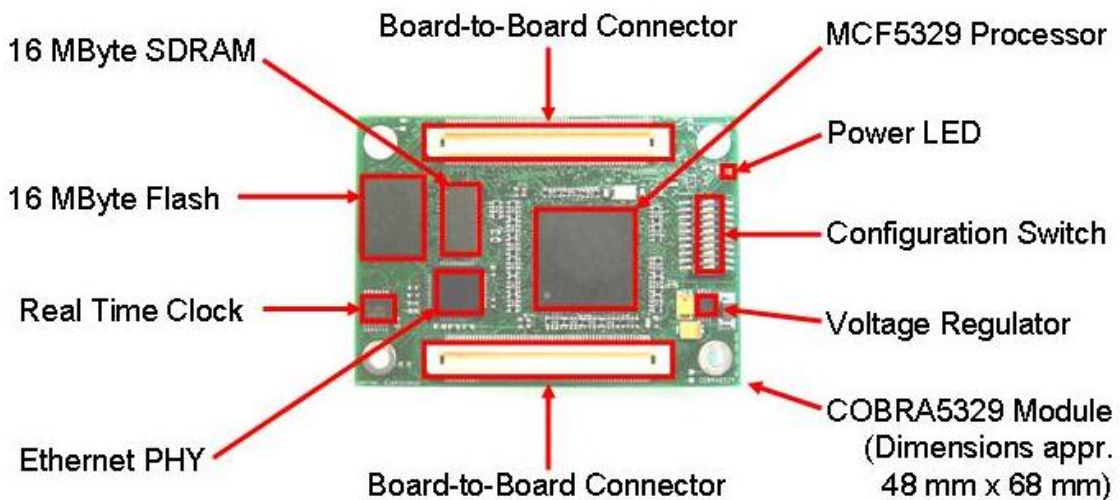
### Typical Applications:

- Human Interface Devices
- Graphical User Interfaces
- Measurement Equipment
- Industrial Control and Automation
- Medical Equipment
- Data Logging
- Embedded Internet
- USB Applications
- CAN to Ethernet Interface
- RS232 to Ethernet Interface
- Education
- Training and Seminars
- Software Development

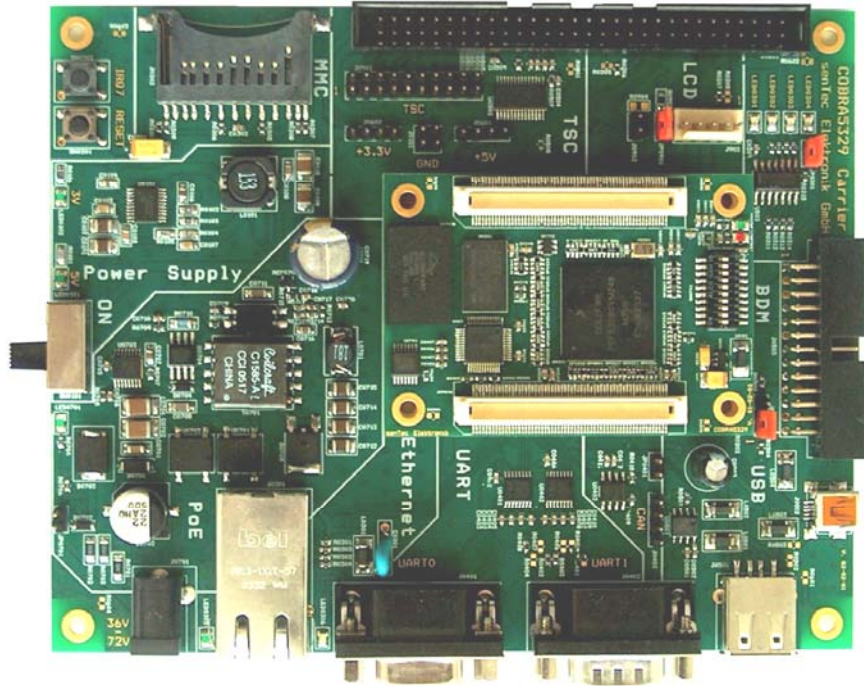
## COBRA5329 Embedded Processor Module Block Diagram



## COBRA5329 Embedded Processor Module Details



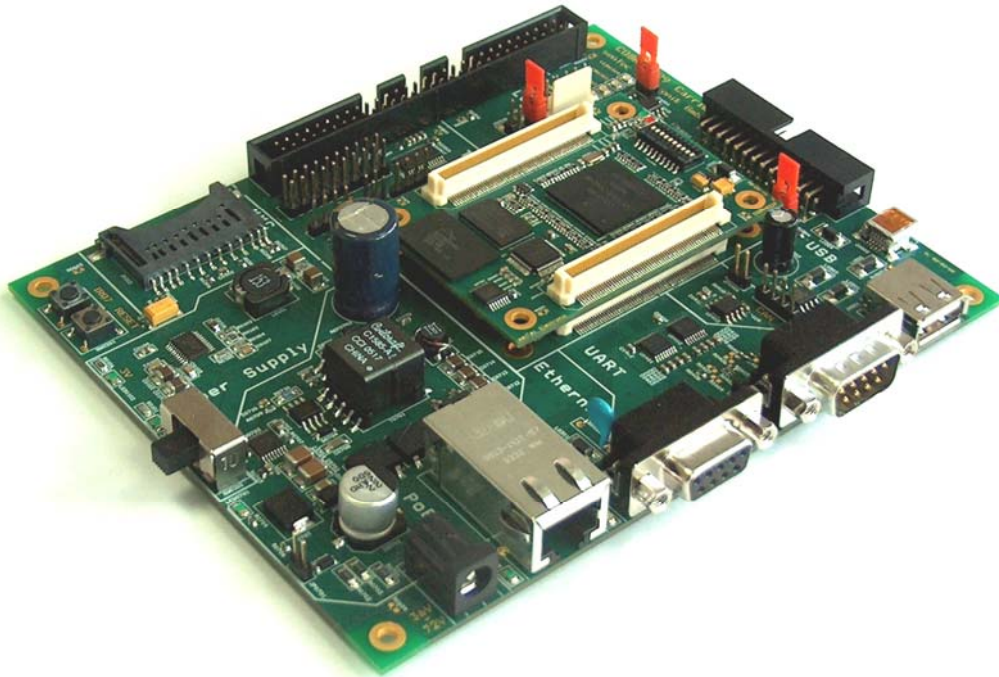
## Carrier Board for the COBRA5329 Processor Module



Dimensions approximately 120 mm x 150 mm

- Carrier Board Features:
- Two Board to Board Connectors for the COBRA5329 Processor Module
  - 3.3 V and 5 V Voltage Regulators
  - RJ45 Ethernet Interface Connector
  - Two RS232 Interfaces with Driver
  - CAN Driver and Interface
  - Multi Media Card Interface
  - Interface Connectors for SPI and I<sup>2</sup>C
  - USB Host and USB OTG Connectors
  - TFT Display Interface Connector
  - Standard BDM Interface Connector
  - Four driven LEDs
  - Reset Pushbutton
  - Power ON/OFF Switch
  - Power Over Ethernet (POE)
  - External Power Supply Option

## Starter Kit for the COBRA5329 Processor Module



- The Starter Kit contains:
- COBRA5329 Embedded Processor Module
  - Carrier Board for the COBRA5329 Module
  - Documentation on CD
  - CD with uClinux distribution and tool chain for software development

Additional PC Parallel Port BDM Interface available.

© Copyright senTec Elektronik GmbH 2007. All rights reserved.



senTec Elektronik GmbH  
Werner-von-Siemens-Str. 6  
98693 Ilmenau, Germany  
<http://www.sentec-elektronik.de>

Phone: +49 3677 462 486 0  
Fax: +49 3677 462 486 6  
Email: [info@sentec-elektronik.de](mailto:info@sentec-elektronik.de)

senTec Elektronik is a member of the  
Freescale Design Alliance Program.



Product status: product qualified and in production