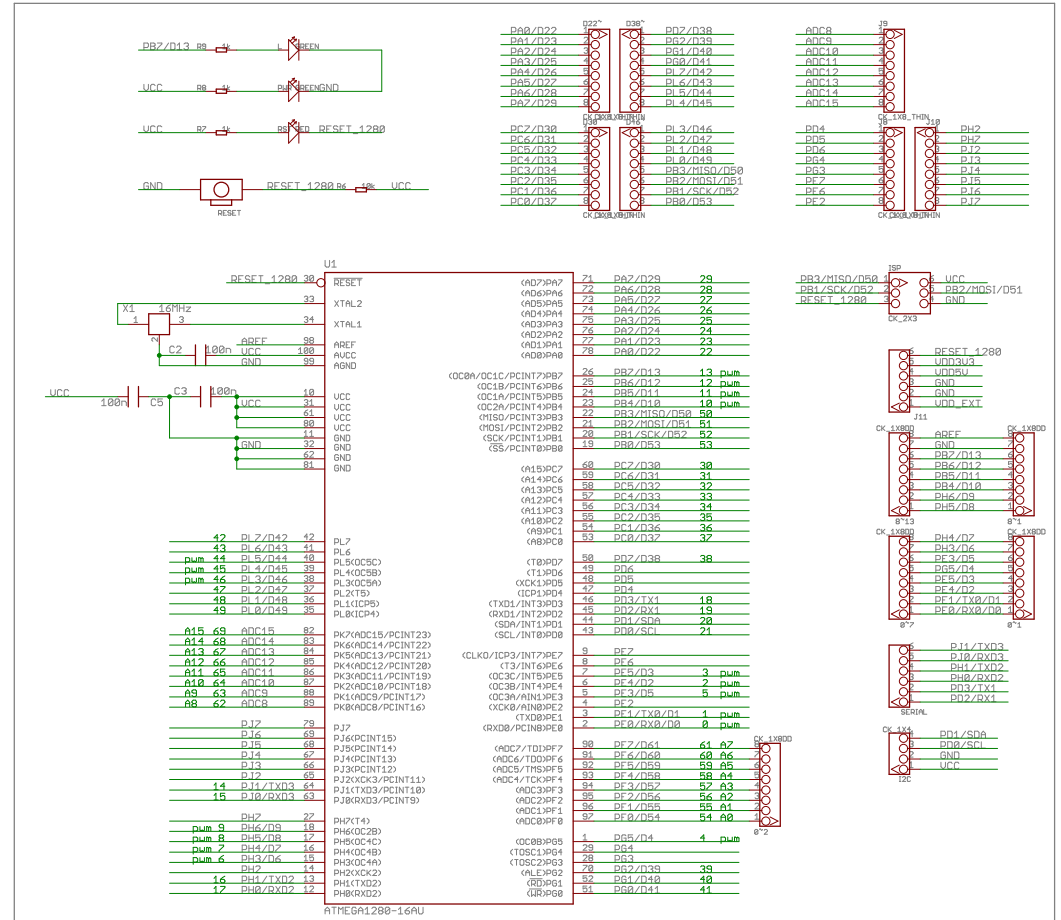
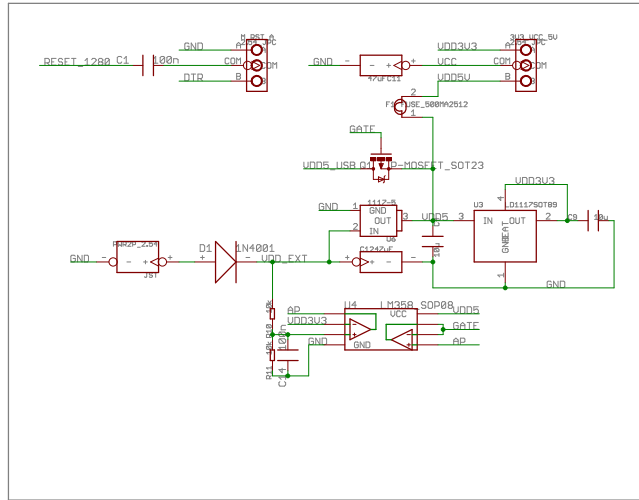
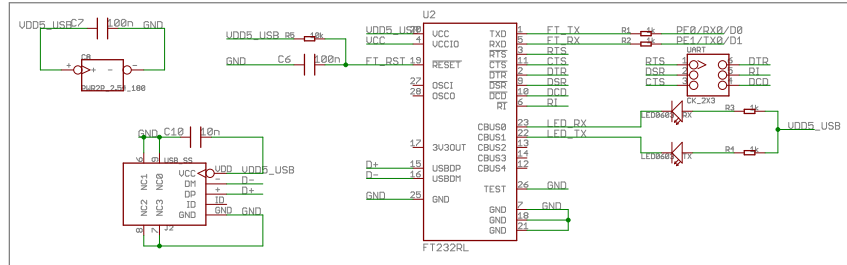


# POWER MANAGER MICROCONTROL LOR



## USB to UART



## Design History

### Reference by Arduino Mega

ver1.1 design history 06/24/2009

1. Add a switch for auto/manually reset
2. Add a switch for 5v/3v3 IO level select(only PORTF&PORTK)
3. Add a switch for ext/usb power select (POWER ON/OFF)
4. Easy reset when shield plug in
5. Add reset indicator LED
6. FullFeatured Uart , BITBANG ready
7. Layout all IO to headers
8. More stable JST socket

ver1.2 design history 04/07/2010

1. Fix 3.3v switch bug
2. USB/EXT power auto select
3. change header drills from 32mil to 35mil
4. upgrade power capacitor
5. clean up layouts

ver1.21 design history 04/16/2010

1. clean up layouts
2. adjust the silkscreen
3. ...

## LOGO

