

COBRA5282 Embedded Processor Module

Product Information 1.5: 2005/01/18

COBRA5282 Features:

- ColdFire MCF5282 Processor
- 64 MHz Internal Clock
- 4 MByte Flash
(optional up to 16 MByte)
- 512 kByte Processor Flash
- 8 MByte SDRAM
(optional up to 32 MByte)
- 10/100 MB Ethernet Interface
- 2x SCI (UART)
- CAN Interface
- QSPI with 4 Chip Selects
- I²C Interface
- 8 A/D Channels 10 Bit
- Real Time Clock
- 32-Bit Processor Bus
- Selectable Boot Configuration
- dBUG Debug Monitor
- uClinux Operating System
- 3.3V Operating Voltage



Original Size 58 x 97 mm

COBRA5282 Interfaces:

Standard I/O Interfaces

- Two Rows per 36 Pins (2.54 mm)
- All Processor Ports and Pins are connected to the Standard I/O Interface

32-Bit Processor Bus Interface

- Two 40-Pin Fields (1.27 mm)
- Can be stuffed with various Connector Options

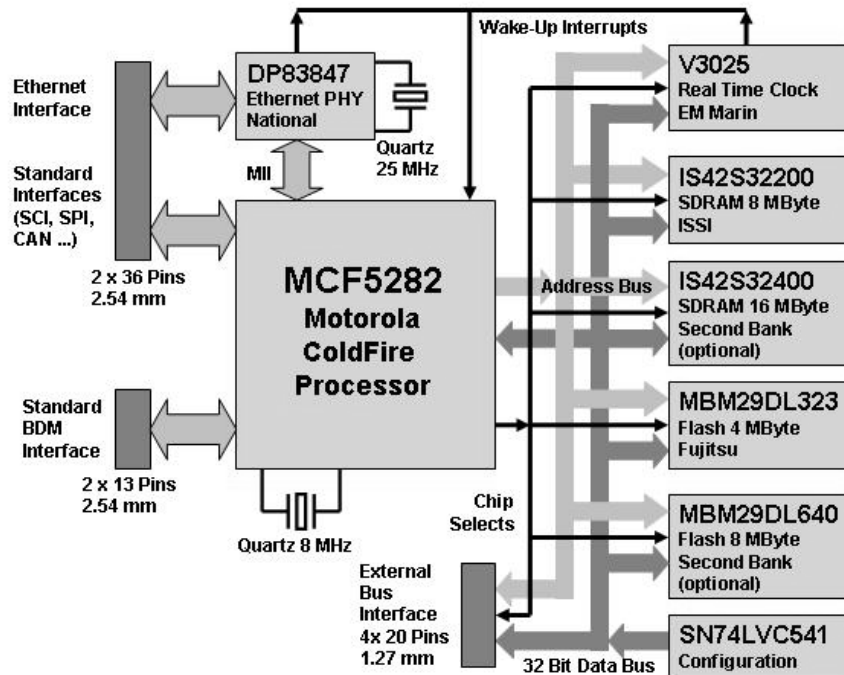
Standard BDM Interface

(2x 13 Pins, 2.54 mm)

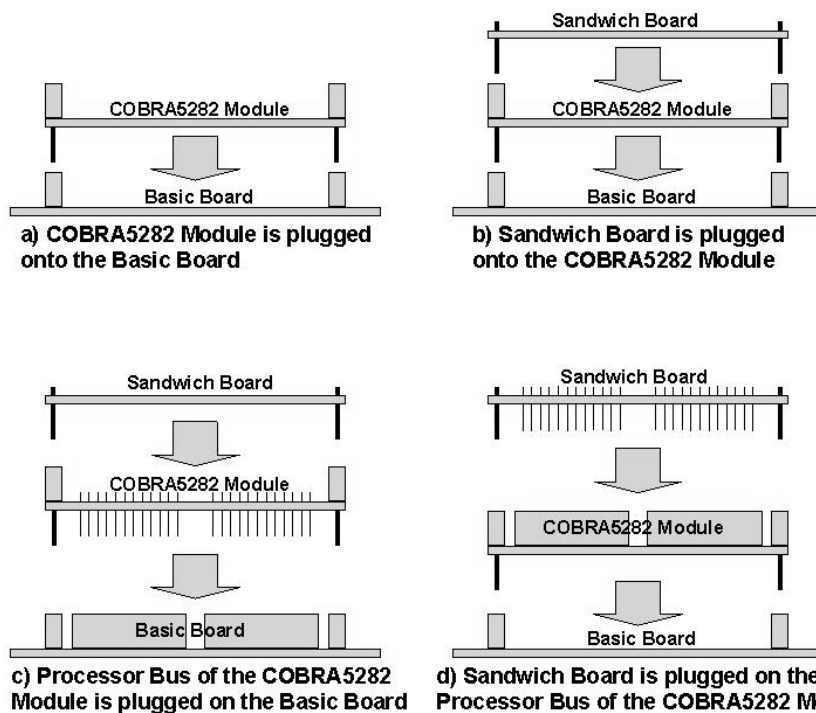
Typical Applications:

- Automation
- Industrial Control
- Measurement Equipment
- Data Logging
- Embedded Internet
- CAN to Ethernet Interface
- RS232 to Ethernet Interface
- RS485 to Ethernet Interface
- Education
- Training and Seminars
- Software Development

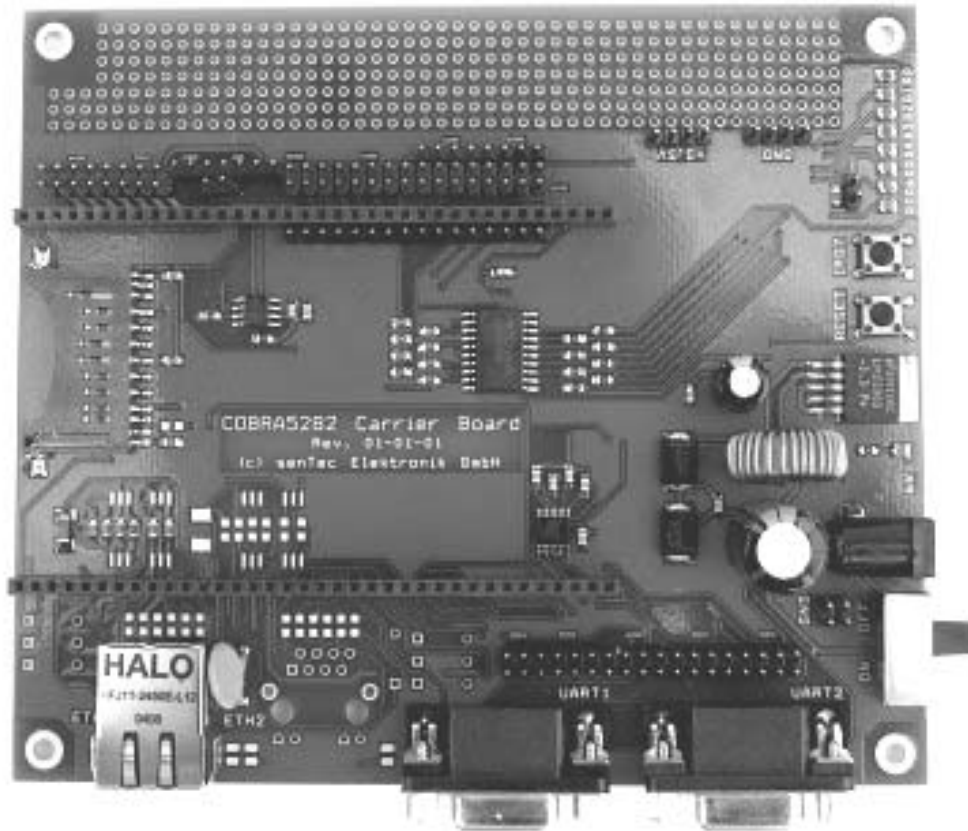
COBRA5282 Embedded Processor Module Block Diagram



Connection Options of the COBRA5282 Processor Module



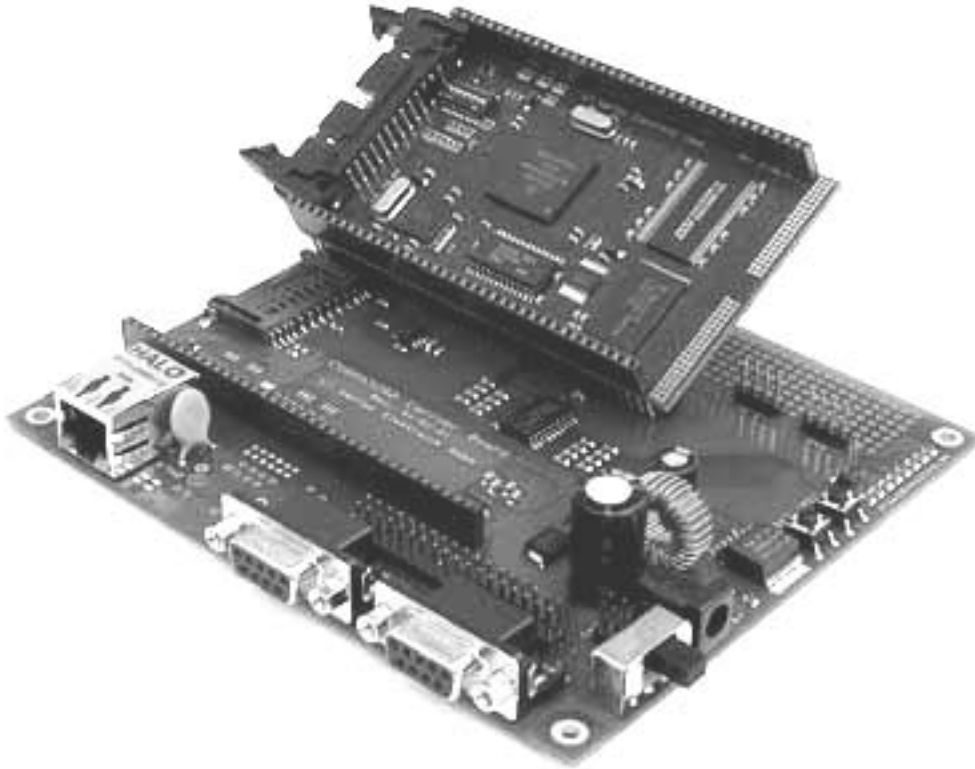
Carrier Board for the COBRA5282 Processor Module



Size approximately 120mm x 110mm

- Carrier Board Features:
- Connectors for the Standard I/O Interfaces of the COBRA5282 Processor Module
 - RJ45 Ethernet Interface
 - Two RS232 Interfaces with Driver
 - CAN Driver and Interface
 - Multi Media Card Interface
 - Interface connectors for SPI, I²C
 - Eight driven LEDs
 - Reset Switch
 - Switching Power Supply 6 - 12 V Input

Starter Kit for the COBRA5282 Processor Module



- The Starter Kit contains:
- COBRA5282 Embedded Processor Module
 - Carrier Board for the COBRA5282 Module
 - Documentation on CD

Additional CD with μ Clinux distribution and tool chain for software development available as delivery option.

© Copyright senTec Elektronik GmbH 2005. All rights reserved.

senTec Elektronik GmbH
Ehrenbergstr. 11
98693 Ilmenau, Germany
<http://www.sentec-elektronik.de>

Phone: +49 3677 66 83 41
Fax: +49 3677 66 83 48
Email: info@sentec-elektronik.de

Product status: product qualified