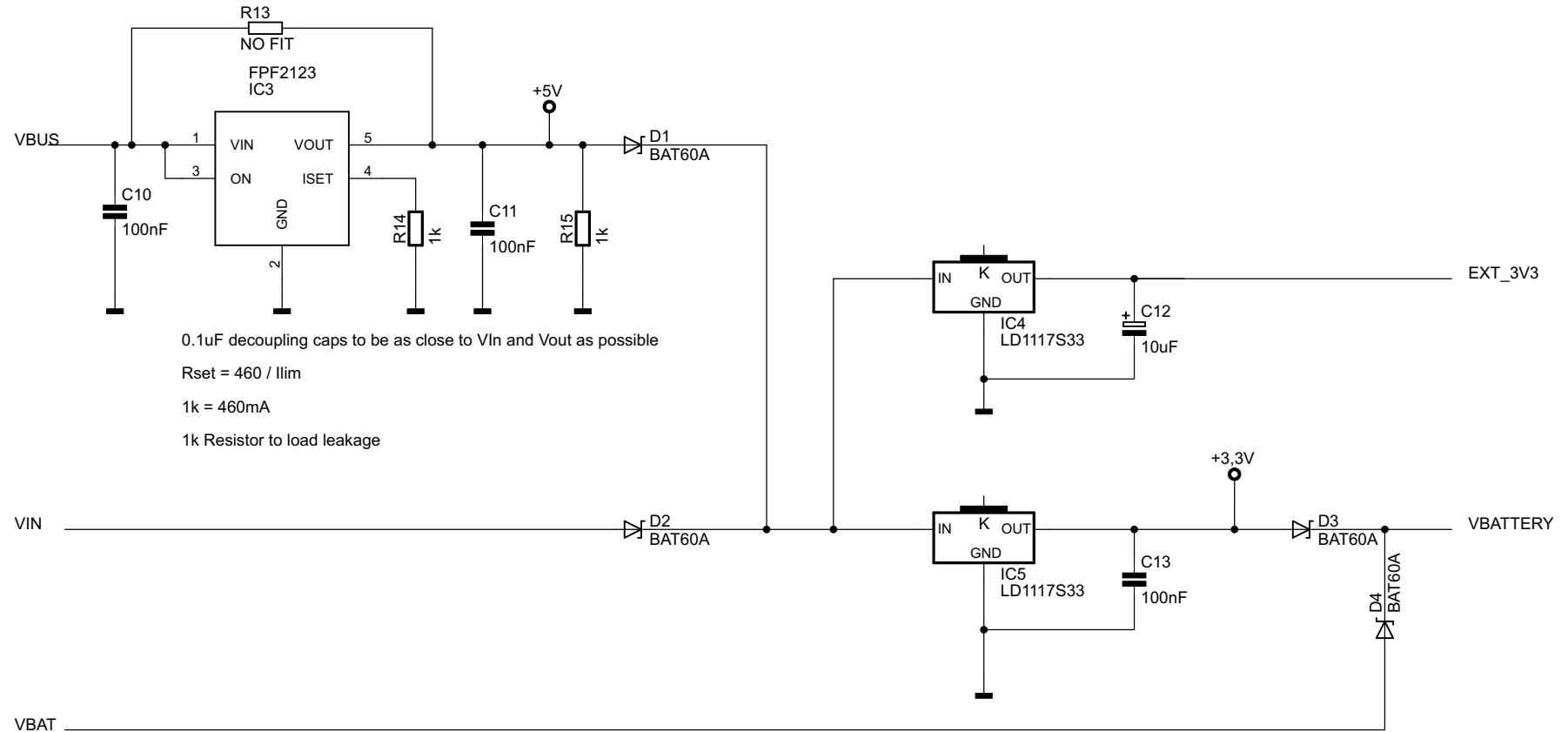
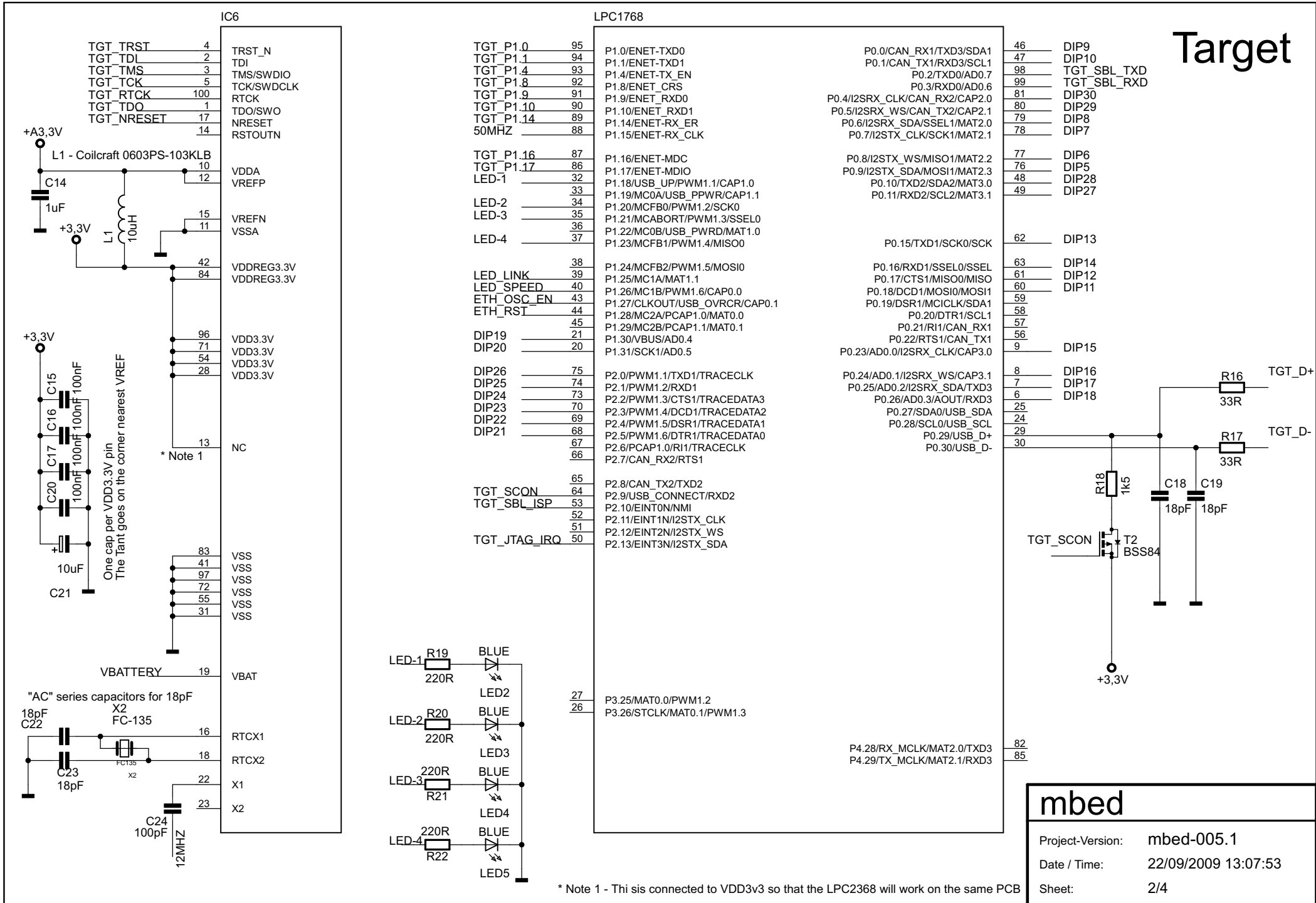


# Power Supply Circuits



|                  |                     |
|------------------|---------------------|
| <b>mbed</b>      |                     |
| Project-Version: | mbed-005.1          |
| Date / Time:     | 22/09/2009 13:07:53 |
| Sheet:           | 1/4                 |

# Target

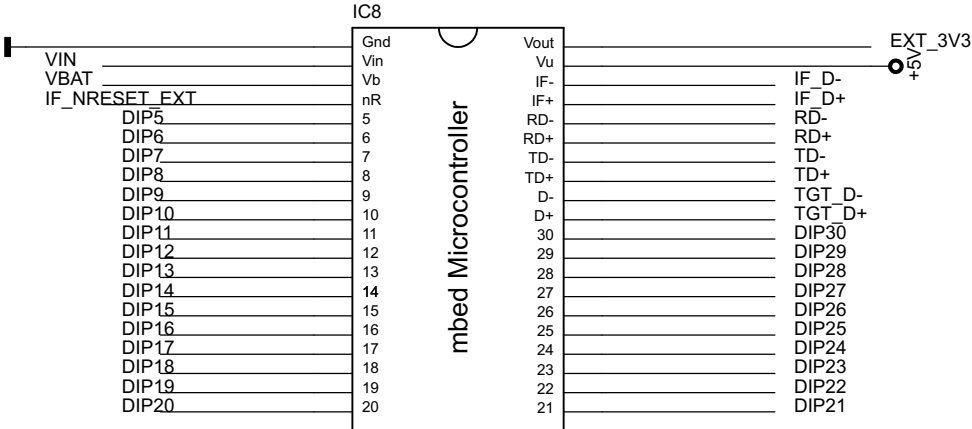


|                  |                     |
|------------------|---------------------|
| <b>mbed</b>      |                     |
| Project-Version: | mbed-005.1          |
| Date / Time:     | 22/09/2009 13:07:53 |
| Sheet:           | 2/4                 |

\* Note 1 - This is connected to VDD3v3 so that the LPC2368 will work on the same PCB



# DIP Pinout



|                  |                     |
|------------------|---------------------|
| <b>mbed</b>      |                     |
| Project-Version: | mbed-005.1          |
| Date / Time:     | 22/09/2009 13:07:53 |
| Sheet:           | 4/4                 |