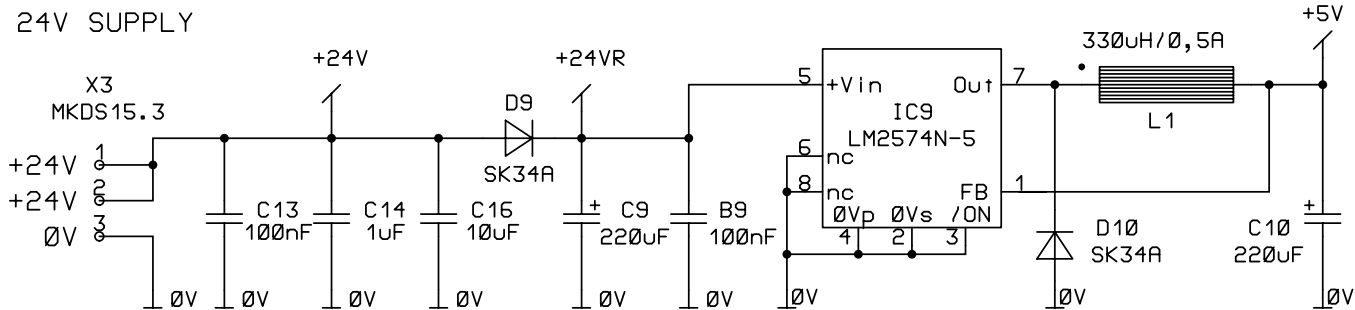
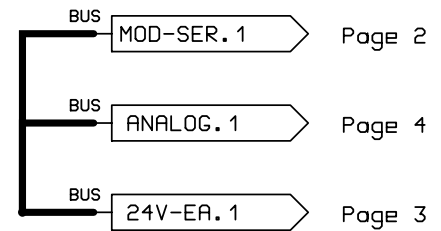


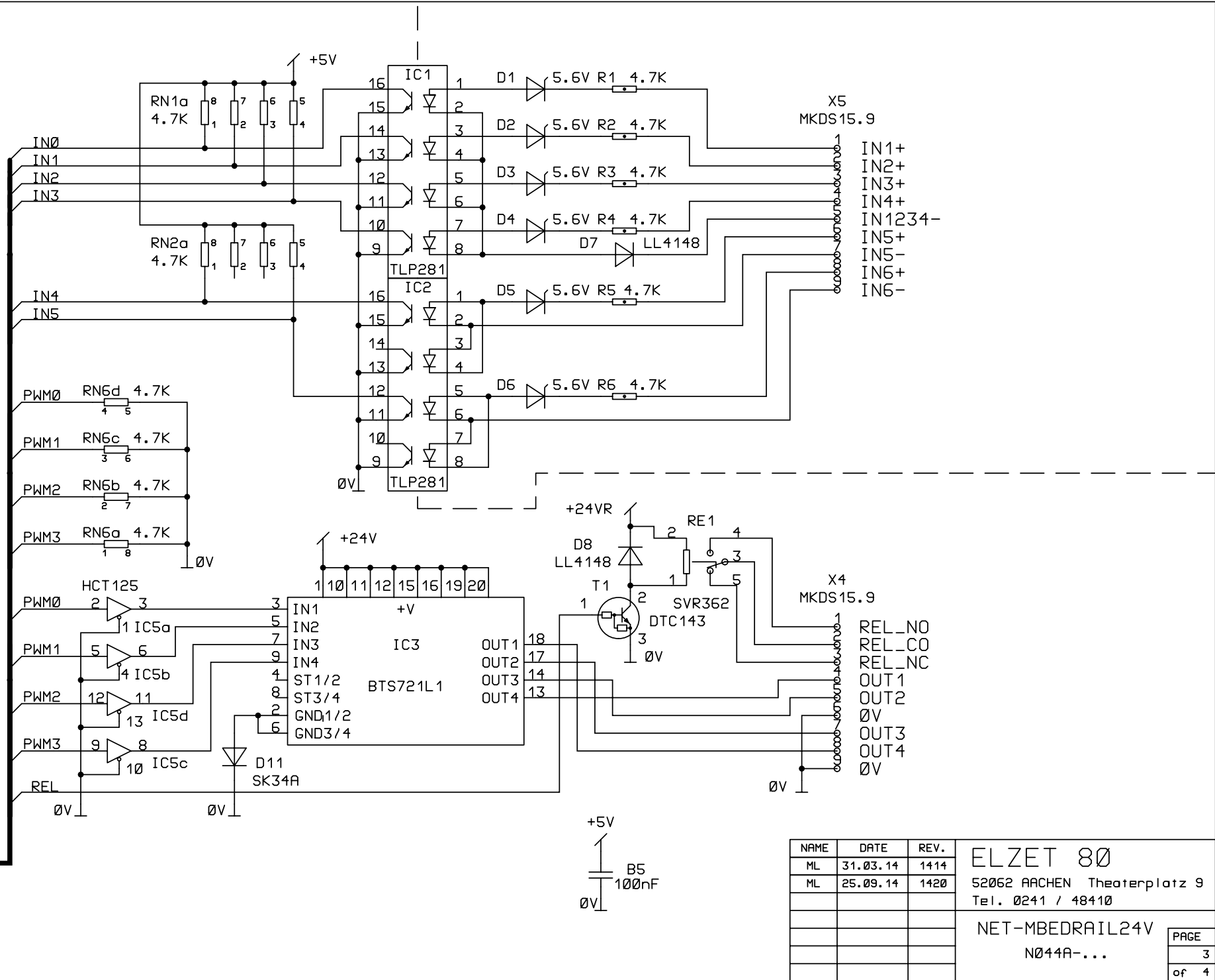
NET-MBEDRAIL24V N044A-1420 (SF)

IC100
RAIL CASE 103mm



N01
ELZET 1

NAME	DATE	REV.	ELZET 80
ML	31.03.14	1414	
ML	25.09.14	1420	Tel. 0241 / 48410
			NET-MBEDRAIL24V
			N044A-...
			PAGE
			1
			of 4



CNTL

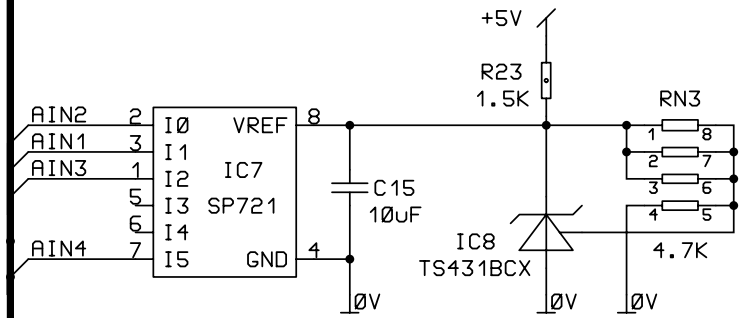
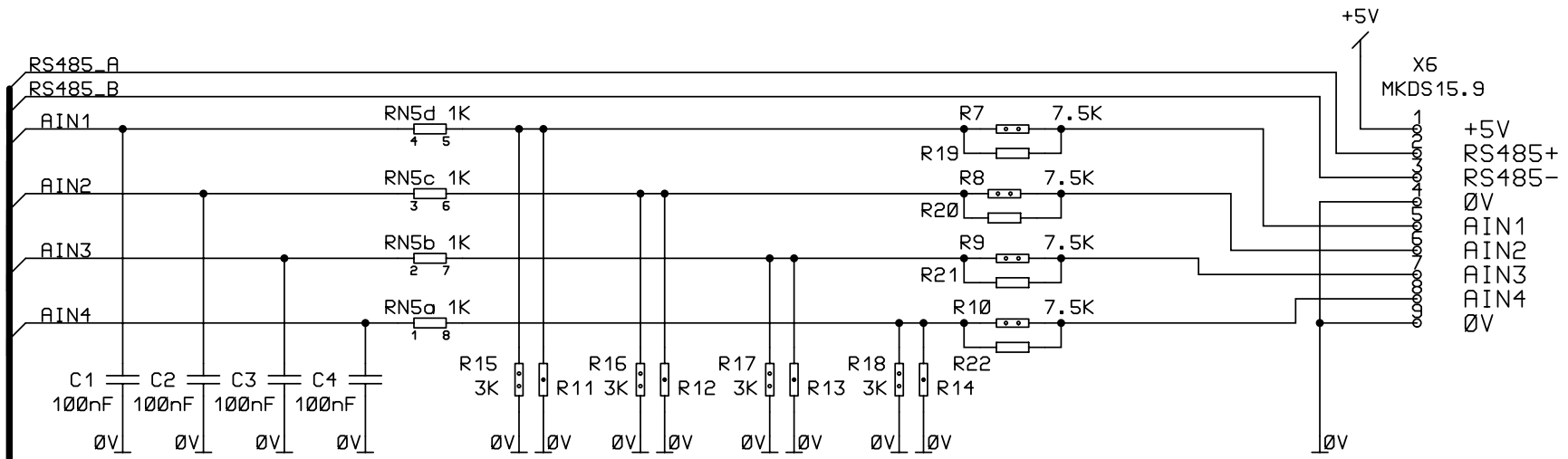
BUS

NAME	DATE	REV.
ML	31.03.14	1414
ML	25.09.14	1420

ELZET 80
 52062 AACHEN Theaterplatz 9
 Tel. 0241 / 48410

NET-MBEDRAIL24V
 N044A-...

PAGE	3
of	4



OPTION 0..24mA (20mA = 2V)

R11...R14	1000hm 0,5W
R19...R22	1500hm 2512 2W

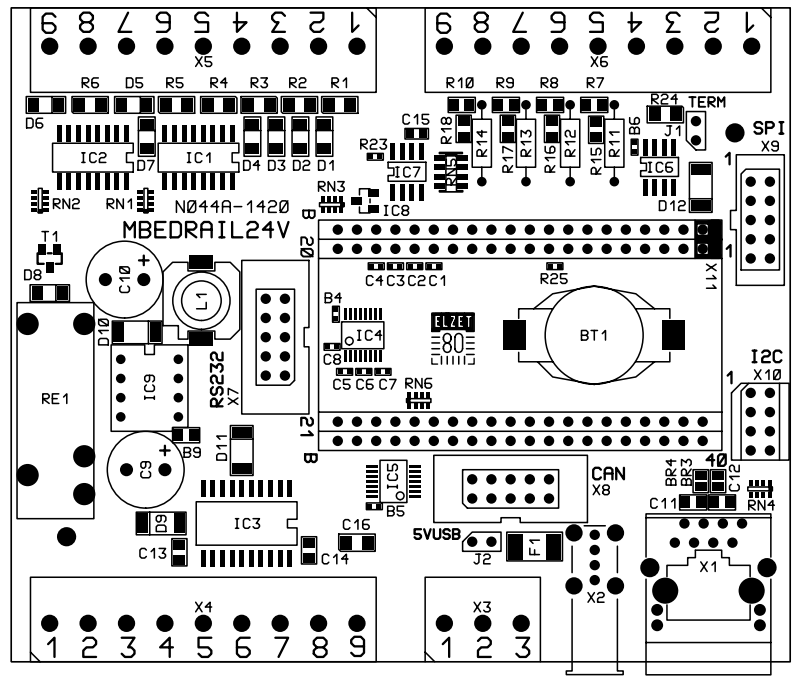
CNTL

BUS

NAME	DATE	REV.	ELZET 80
ML	31.03.14	1414	
ML	25.09.14	1420	
			NET-MBEDRAIL24V
			N044A-...
			PAGE
			4
			of 4

- Rev. 1414 : - initial
- Rev. 1420 : - X1, X2, X3, REL1 Part Position adjusted (Layout)
 - IC5 (HCT14) changed to HCT125 (noninverting)
 - RN6 added (Pull Downs)
 - Optional R26 R27 added (MBED USB Master)
 - Optional R28 R29 added (RS485 Fail Save Bias)
 - X3 changed to 3pol. type

NAME	DATE	REV.				
ML	31.03.14	1414	ELZET 80 52062 AACHEN Theaterplatz 9 Tel. 0241 / 48410			
ML	25.09.14	1420				
			NET-MBEDRAIL24V N044A-...			
			<table border="1"> <tr> <td>BB0ET</td> </tr> <tr> <td>0</td> </tr> <tr> <td>von 4</td> </tr> </table>	BB0ET	0	von 4
BB0ET						
0						
von 4						



NET-MBEDRAIL24V

N044A-1420

Silkscreen Comp. Side

