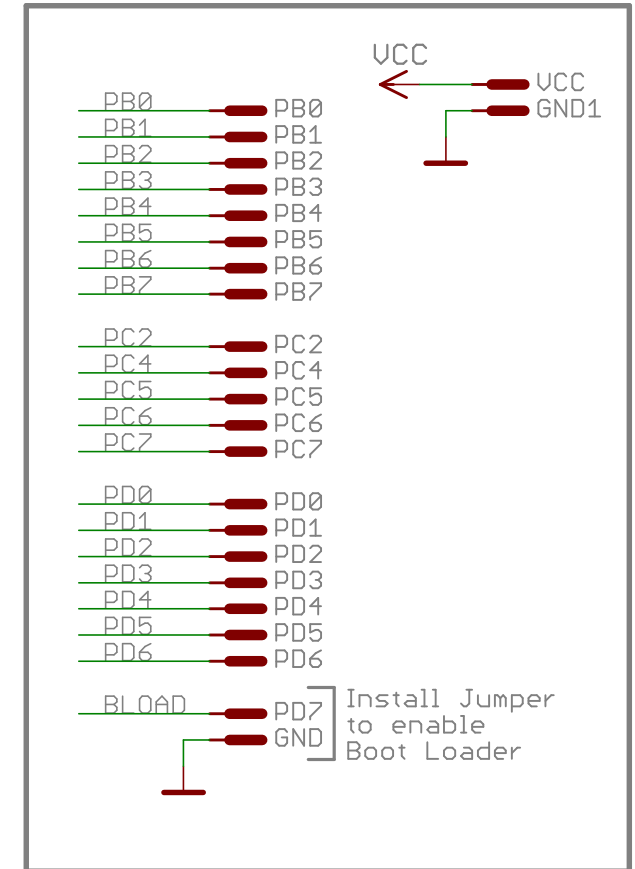
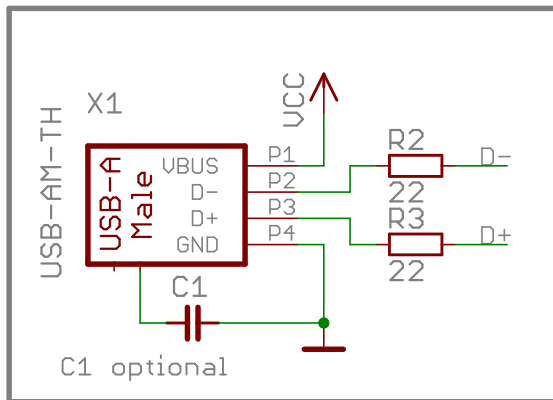


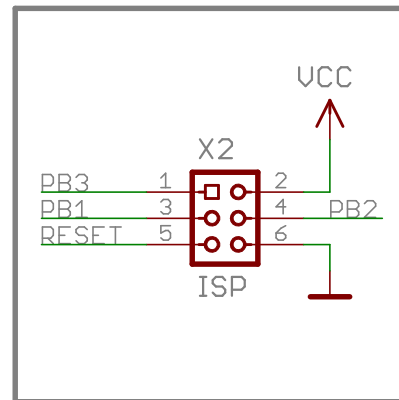
MCU\_CIRCUIT



PROTOTYPING\_AREA



USB\_CONNECTOR



ISP\_CONNECTOR

# AT90USB Plug

<http://elmicro.com/de/at90usbplug.html>

©2010 by Elektronikladen | ELMICRO  
Design by Stefan Günther

REV:  
V1.1

Date: 16.09.2010 10:36:16

Sheet: 1/1