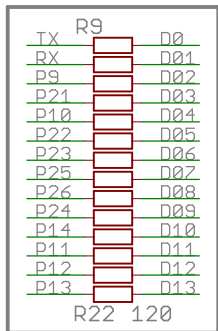
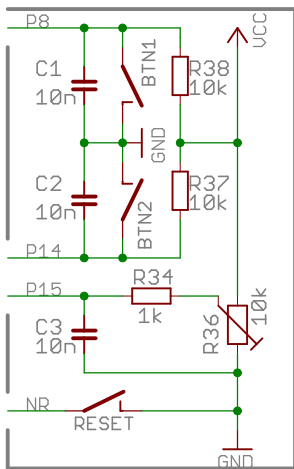


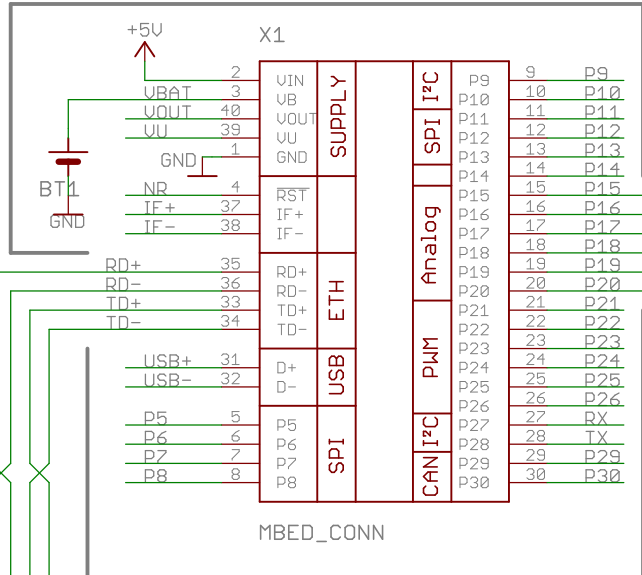
LEDS



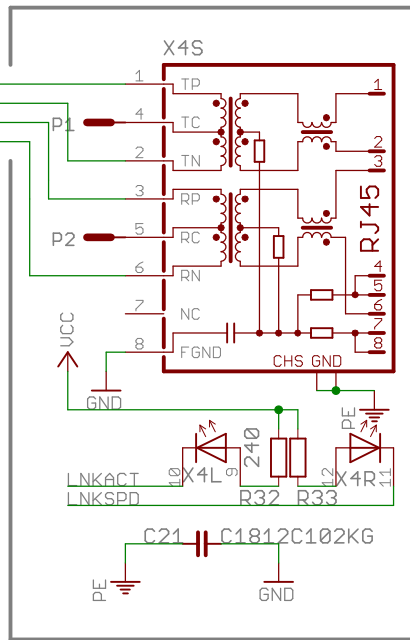
CURRENT LIMITER



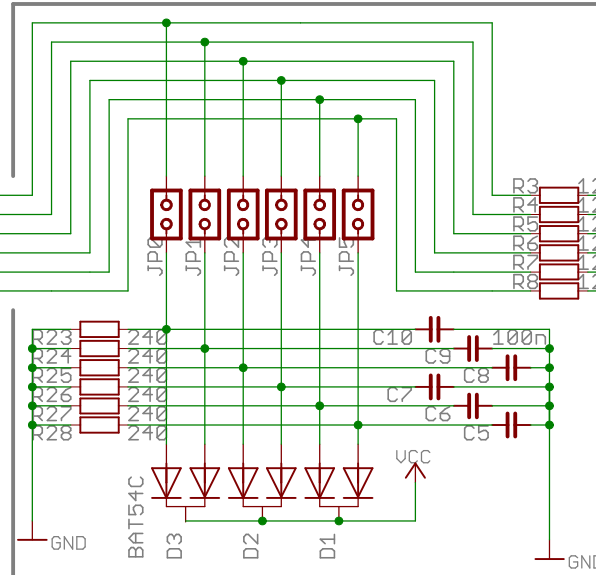
USER INPUT



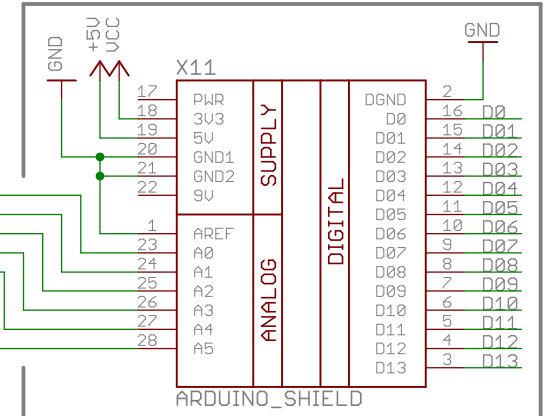
MBED MODULE



ETHERNET INTERFACE

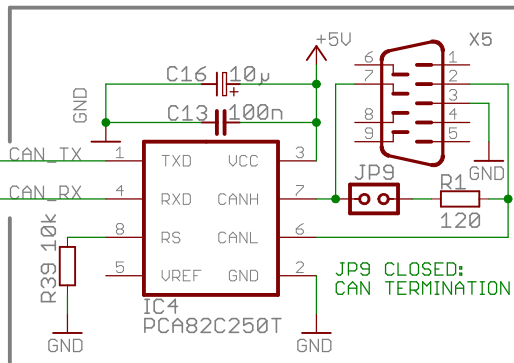


ANALOG LEVEL SHIFTER UNIT

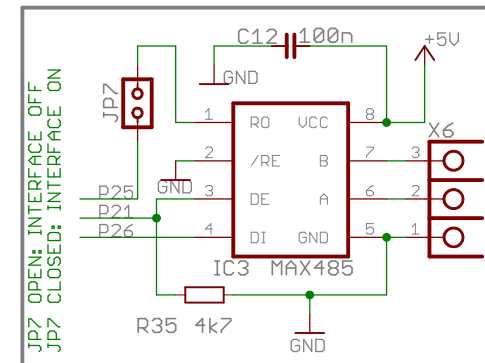


ARDUINO INTERFACE

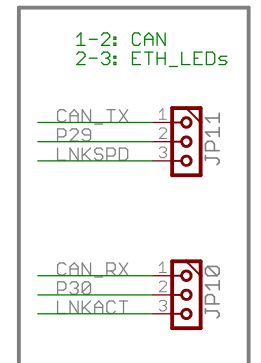
LOW IMPEDANCE ANALOG SOURCE ONLY!
 Select signal type with JP0..5:
 OPEN - bi-directional digital signals
 CLOSED - analog signals



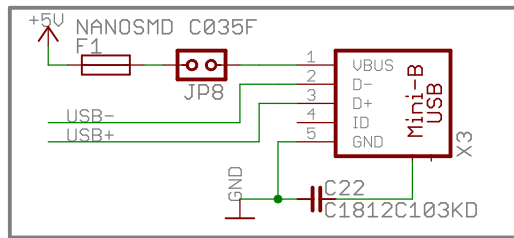
CAN INTERFACE



RS485 INTERFACE



P29/30 FUNCTION SEL



USB (DEVICE) INTERFACE

TestBed for mbed

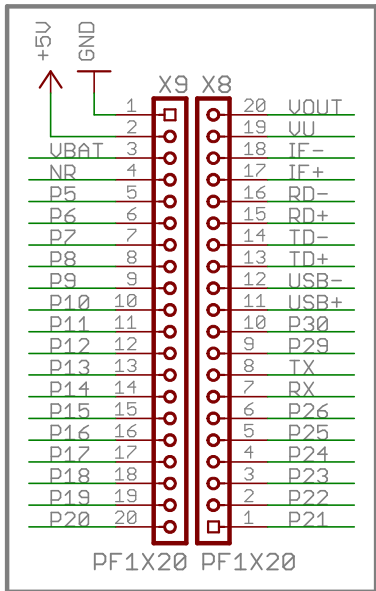
<http://elmicro.com>

(C)2010 by Elektronikladen | ELMICRO
 Entwurf: Stefan Günther

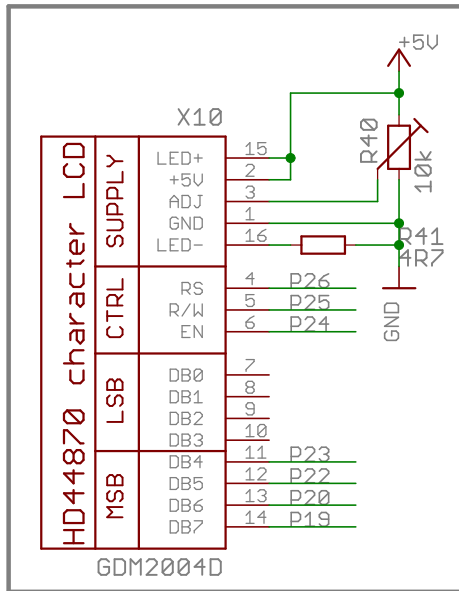
REV:
 V1.3

Date: 18.04.2011 13:51:38

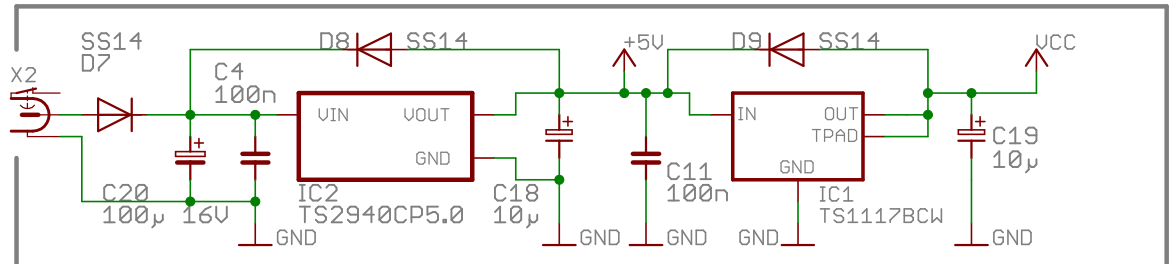
Sheet: 1/2



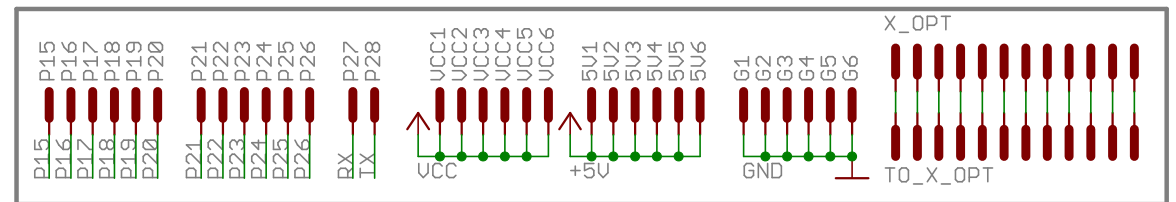
PIN BREAKOUT



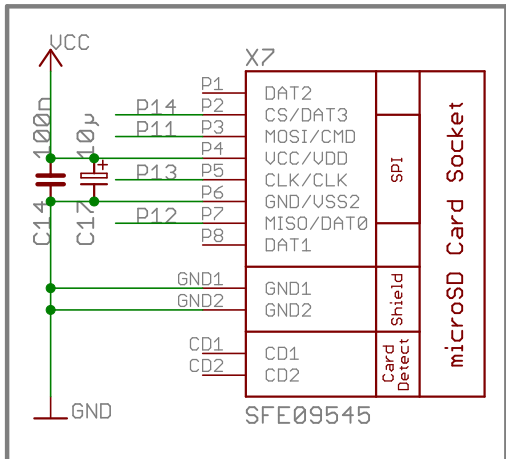
LCD CONNECTOR



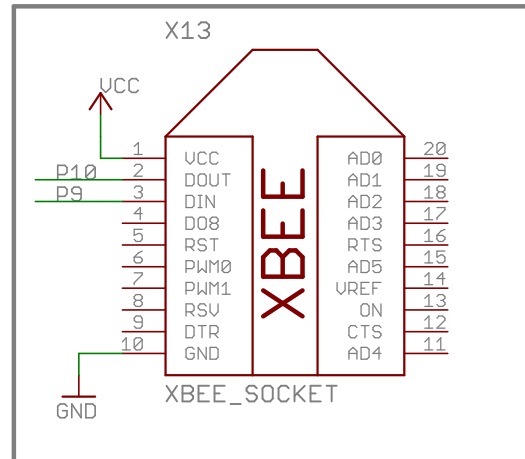
POWER SUPPLY



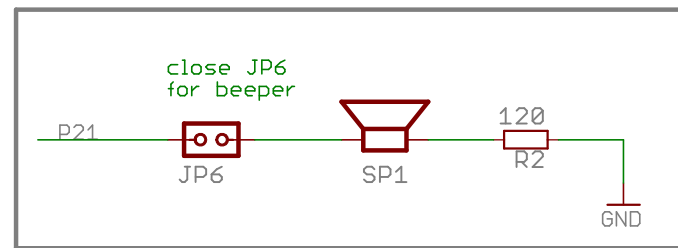
SOLDER GRID



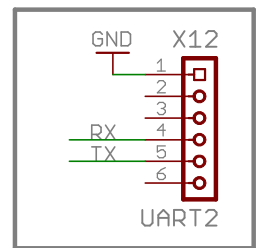
MICRO SD CARD INTERFACE (SPI)



XBEE SOCKET



SIGNAL BEEPER



UART CONN

TestBed for mbed

<http://elmicro.com>

(C)2010 by Elektronikladen | ELMICRO
Entwurf: Stefan Günther

REV:
V1.3

Date: 18.04.2011 13:51:38

Sheet: 2/2