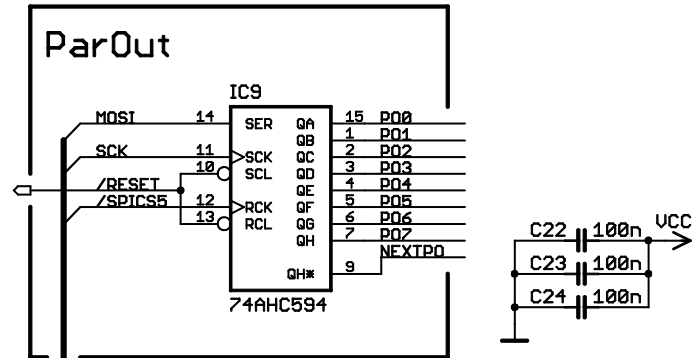
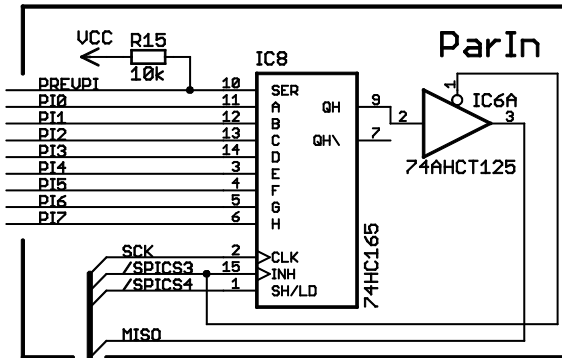
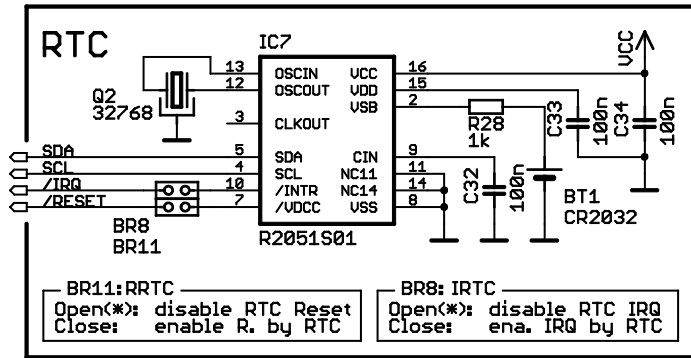


S12compact Microcontroller Module

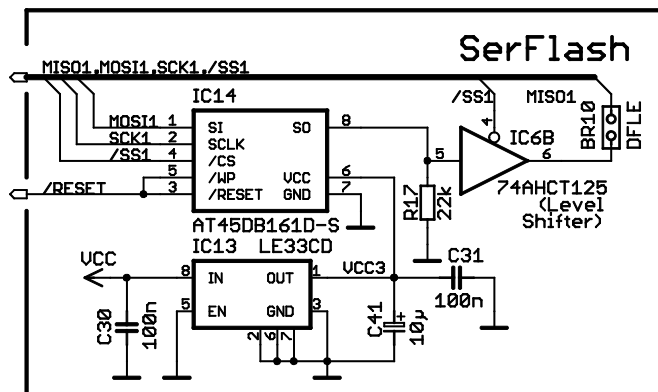
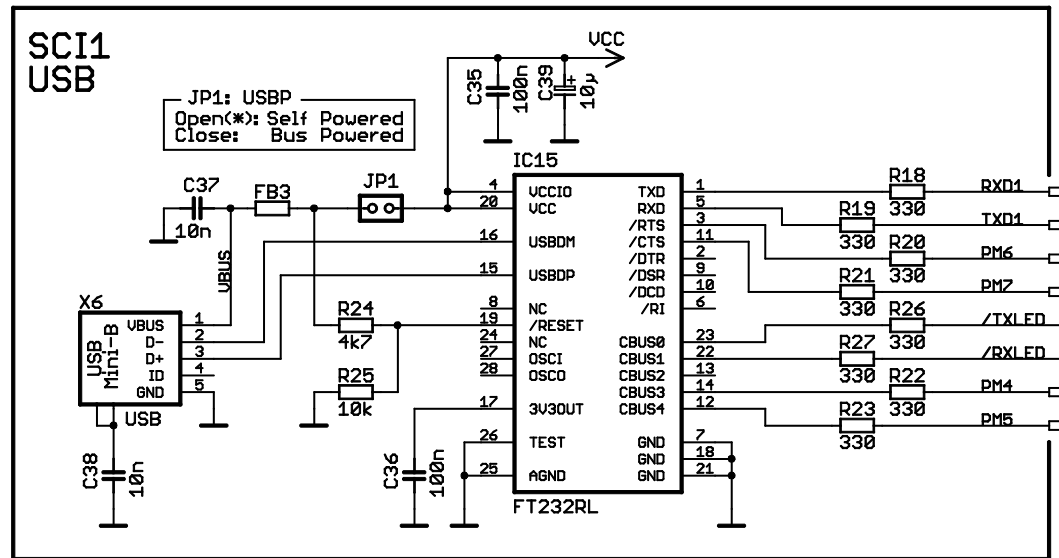
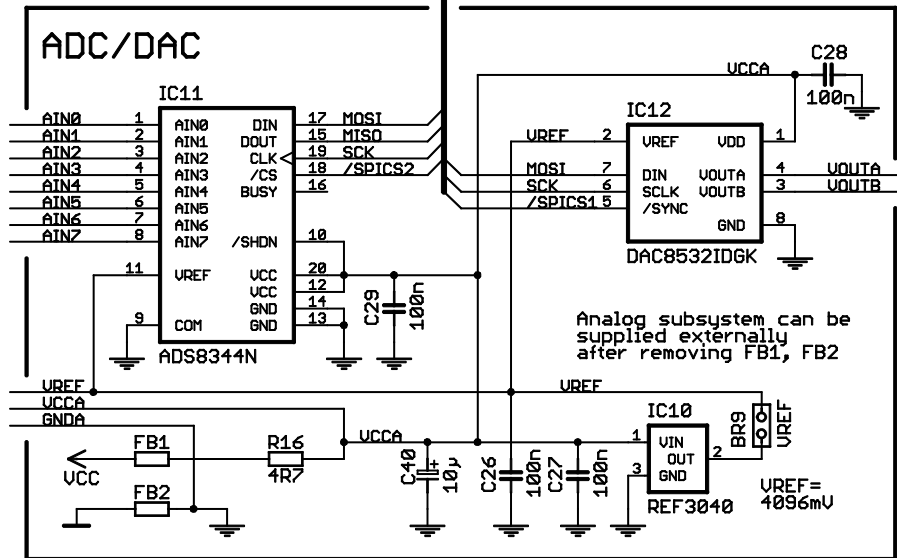
<http://elmicro.com/en/s12compact.html>

©2009 by Elektronikladen | ELMICRO
 Design by Oliver Thamm, Thomas Wurlitzer

REV: 1.20



MISO, MOSI, SCK, /SS, /SPICCS0..61



S12compact Peripheral Components

<http://elmicro.com/en/s12compact.html>

©2009 by Elektronikladen | ELMICRO
Design by Oliver Thamm, Thomas Wurlitzer

REV:
1.20

Date: 10.12.2009 10:12:59

Sheet: 2/3

| | | | |
|---------|----|----|---------|
| UCC | 72 | 71 | UCC |
| GND | 70 | 69 | GND |
| /TXI FD | 68 | 67 | /RXI FD |
| SCI | 66 | 65 | SDA |
| CANI | 64 | 63 | CANH |
| DM5 | 62 | 61 | DM4 |
| DM3 | 60 | 59 | DM2 |
| DM1 | 58 | 57 | DM0 |
| DP7 | 56 | 55 | DP6 |
| DP5 | 54 | 53 | DP4 |
| DP3 | 52 | 51 | DP2 |
| DP1 | 50 | 49 | DP0 |
| PK3 | 48 | 47 | PK2 |
| PK1 | 46 | 45 | PK0 |
| GND | 44 | 43 | GND |
| PT0 | 42 | 41 | PT1 |
| PT2 | 40 | 39 | PT3 |
| PT4 | 38 | 37 | PT5 |
| PT6 | 36 | 35 | PT7 |
| BUZ7 | 34 | 33 | PK5 |
| PK4 | 32 | 31 | /XCLKS |
| P10 | 30 | 29 | P11 |
| PB0 | 28 | 27 | GND |
| PB2 | 26 | 25 | PB1 |
| PB4 | 24 | 23 | PB3 |
| PB6 | 22 | 21 | PB5 |
| /SPIC56 | 20 | 19 | PB7 |
| PO0 | 18 | 17 | PO1 |
| PO2 | 16 | 15 | PO3 |
| PO4 | 14 | 13 | PO5 |
| PO6 | 12 | 11 | PO7 |
| NEXTPO | 10 | 9 | PT2 |
| PT6 | 8 | 7 | PT5 |
| PT4 | 6 | 5 | PT3 |
| PT2 | 4 | 3 | PT1 |
| PT0 | 2 | 1 | PREUPT |

X4

| | | | |
|--------|----|----|-------|
| UCCA | 72 | 71 | URFF |
| GND | 70 | 69 | AIN7 |
| AIN6 | 68 | 67 | AIN5 |
| AIN4 | 66 | 65 | AIN3 |
| AIN2 | 64 | 63 | AIN1 |
| AIN0 | 62 | 61 | GND |
| UOUTB | 60 | 59 | UOUTA |
| GND | 58 | 57 | GND |
| SCK | 56 | 55 | MOST |
| MISO | 54 | 53 | /SS |
| TXD1 | 52 | 51 | RXD1 |
| TXD0 | 50 | 49 | RXD0 |
| PM6 | 48 | 47 | PM7 |
| URH | 46 | 45 | GND |
| PAD15 | 44 | 43 | PAD07 |
| PAD14 | 42 | 41 | PAD06 |
| PAD13 | 40 | 39 | PAD05 |
| PAD12 | 38 | 37 | PAD04 |
| PAD11 | 36 | 35 | PAD03 |
| PAD10 | 34 | 33 | PAD02 |
| PAD09 | 32 | 31 | PAD01 |
| PAD08 | 30 | 29 | PAD00 |
| PK7 | 28 | 27 | PA7 |
| PA6 | 26 | 25 | PA5 |
| PA4 | 24 | 23 | PA3 |
| PA2 | 22 | 21 | PA1 |
| PA0 | 20 | 19 | /XIRQ |
| /TRQ | 18 | 17 | R/W |
| /LSTRB | 16 | 15 | MISO1 |
| /RESET | 14 | 13 | /SS1 |
| SCK1 | 12 | 11 | MOST1 |
| PH7 | 10 | 9 | PH6 |
| PH5 | 8 | 7 | PH4 |
| RKGD | 6 | 5 | MADR |
| MODA | 4 | 3 | ECLK |
| GND | 2 | 1 | GND |

X5

/SPIC50 X3

| | | | |
|------|----|----|--------|
| UCC | 20 | 19 | GND |
| PK5 | 18 | 17 | PK4 |
| P11 | 16 | 15 | P10 |
| RKGD | 14 | 13 | DR0 |
| DB1 | 12 | 11 | DR2 |
| DB3 | 10 | 9 | DR4 |
| DB5 | 8 | 7 | DR6 |
| DB7 | 6 | 5 | /XCLKS |
| MADR | 4 | 3 | MODA |
| ECLK | 2 | 1 | /RESET |

X7

| | | | |
|--------|----|----|-------|
| GND | 20 | 19 | GND |
| /LSTRB | 18 | 17 | UCC |
| PK7 | 16 | 15 | PK3 |
| PK2 | 14 | 13 | PK1 |
| PK0 | 12 | 11 | PA7 |
| PA6 | 10 | 9 | PA5 |
| PA4 | 8 | 7 | PA3 |
| PA2 | 6 | 5 | PA1 |
| PA0 | 4 | 3 | /XIRQ |
| /TRQ | 2 | 1 | R/W |

X8

S12compact Header Connectors

<http://elmicro.com/en/s12compact.html>

©2009 by Elektronikladen | ELMICRO
Design by Oliver Thamm, Thomas Wurlitzer

REV:
1.20

Date: 10.12.2009 10:12:59

Sheet: 3/3